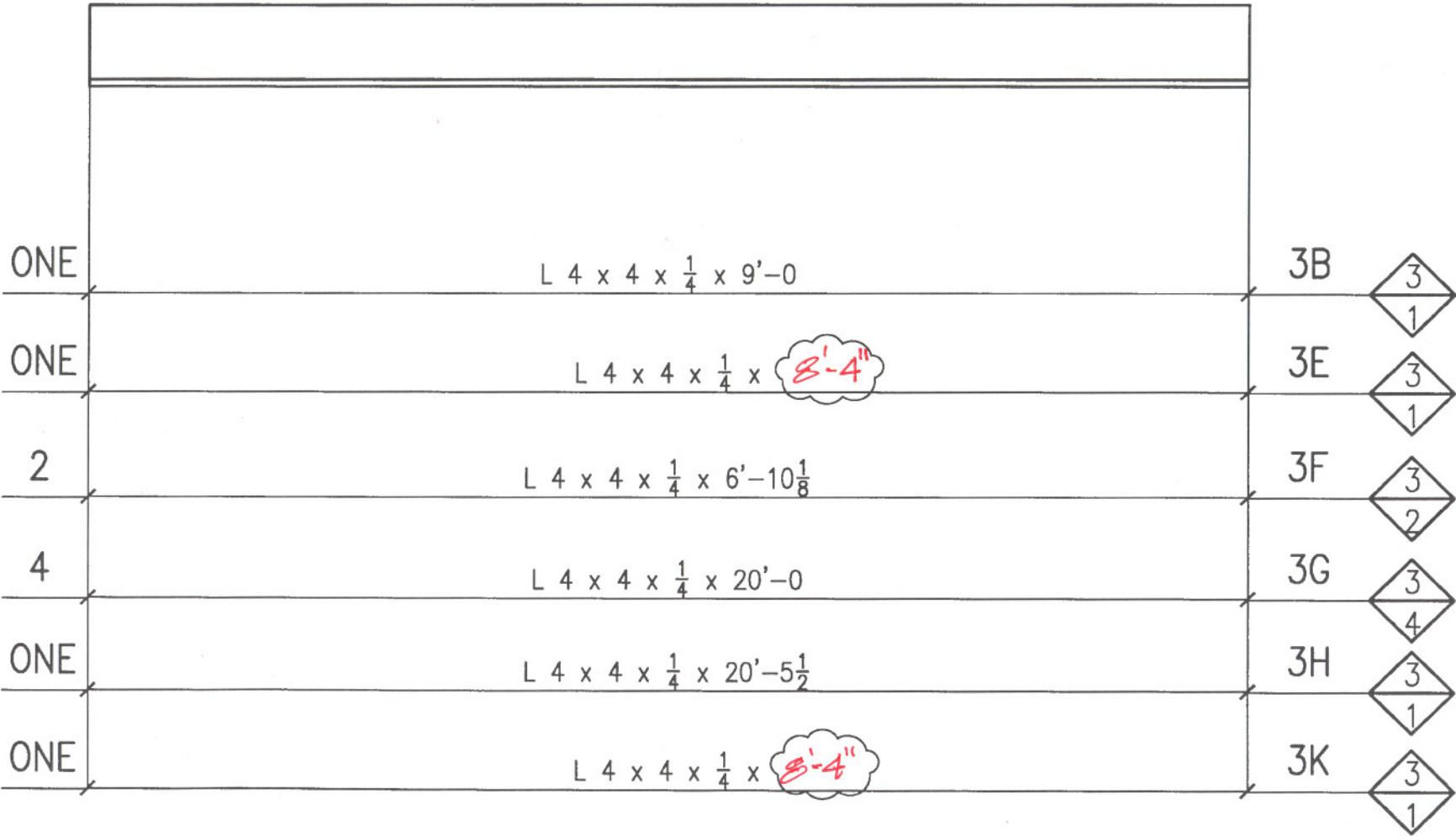
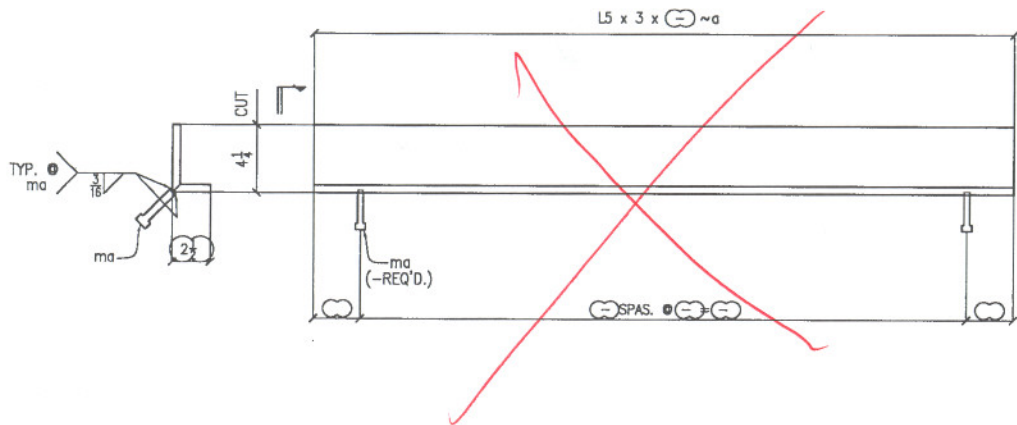


624 Q#)

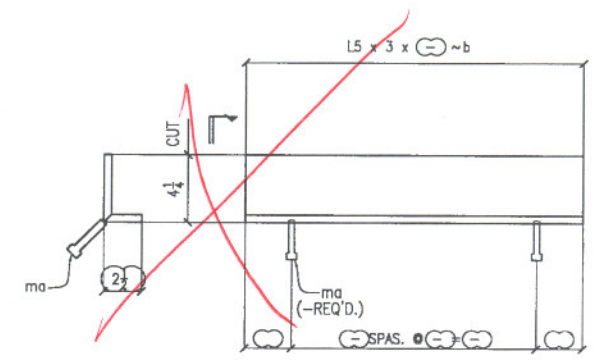








2 - EMBEDS - 8A  
(REF: 147,148/S3.3)

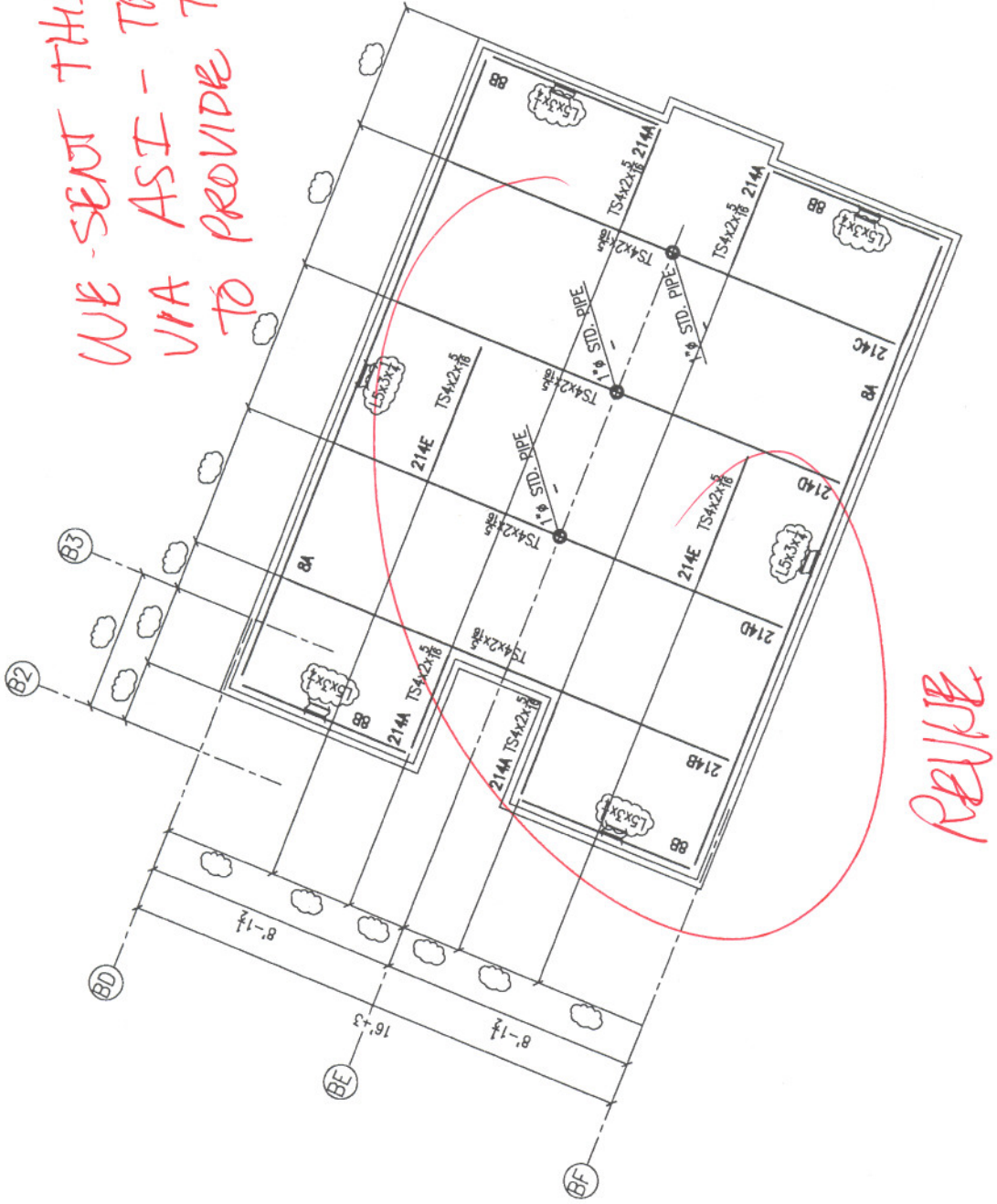


4 - EMBEDS - 8B  
(REF: 148/S3.3)

624 Q# 4

Q24Q#4

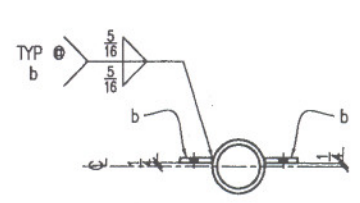
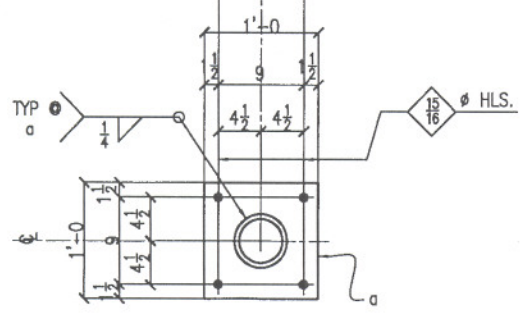
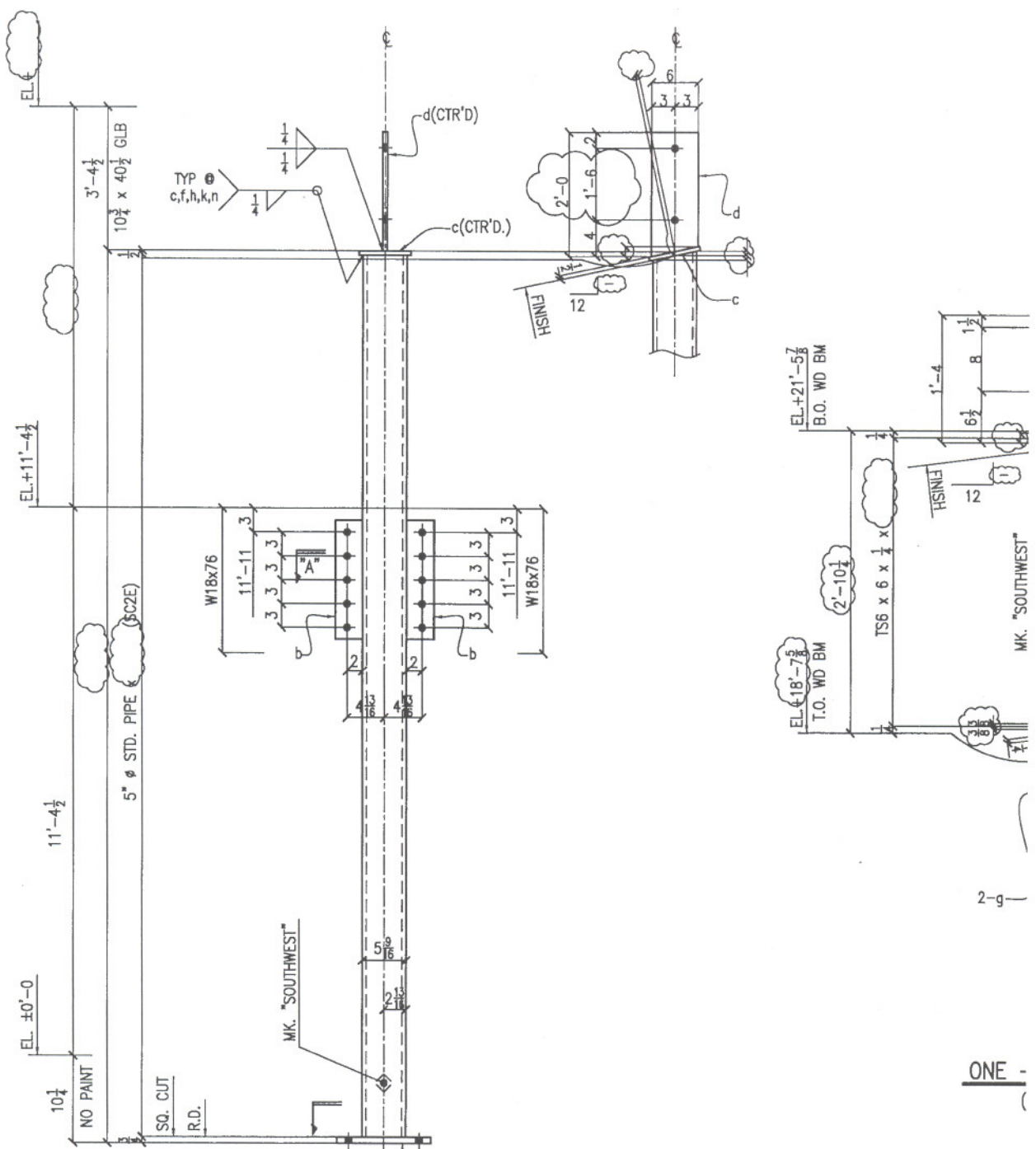
WE SENT THIS WESPAC  
VIA ASI - THEY NEED  
TO PROVIDE TO G&S







024 Q#12

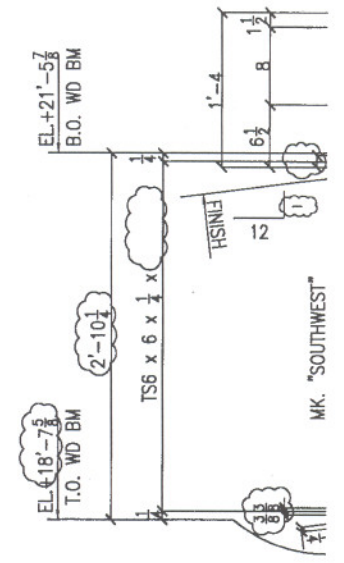


SECT. "A"

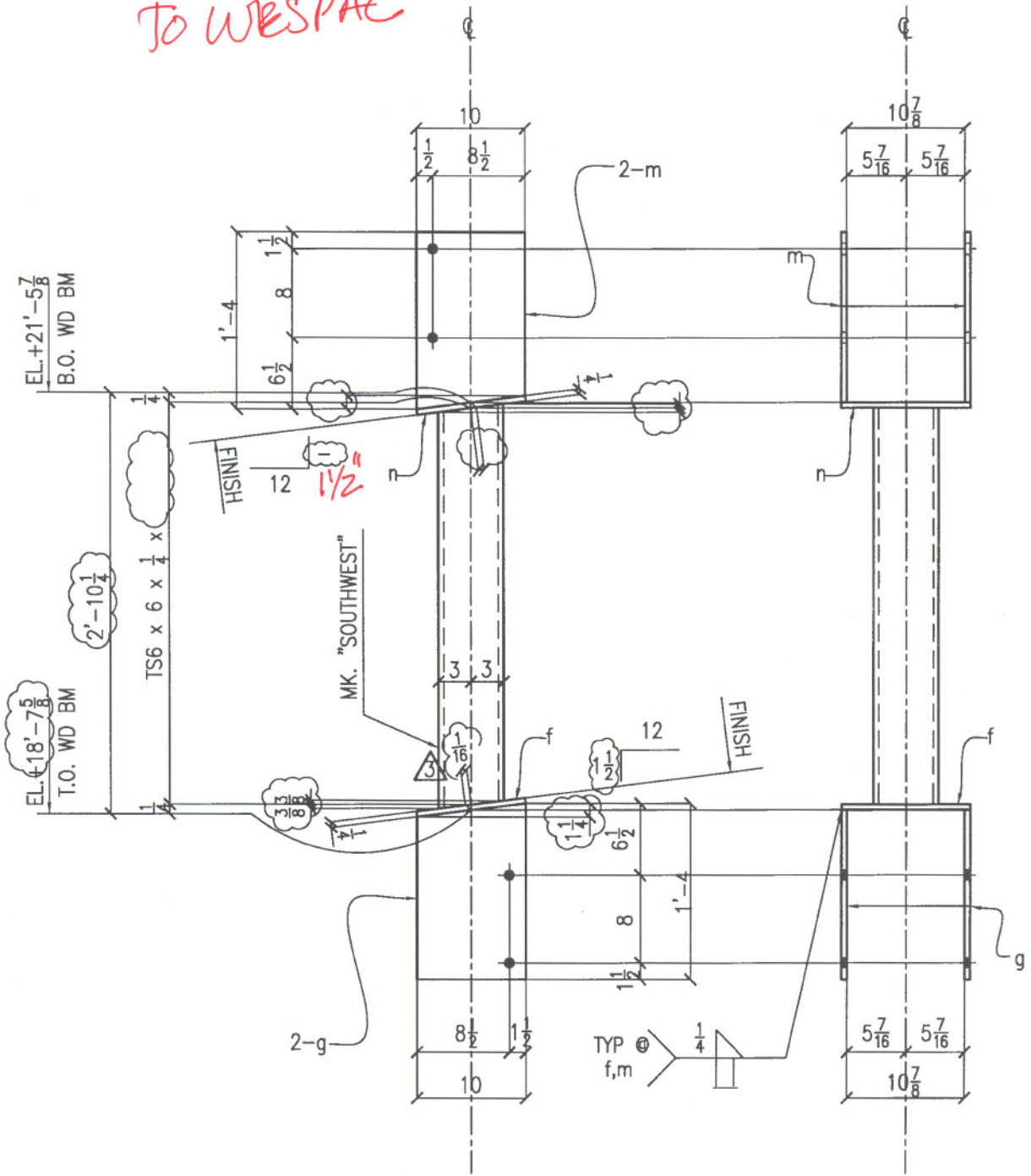
ONE - COLUMN - 102A  
(CD/C2)

ONE -

2-g



OK TO SUBMIT  
TO WESPAC



624 Q #12

ONE - COLUMN - 102B  
(C14/BET. CK&CL)





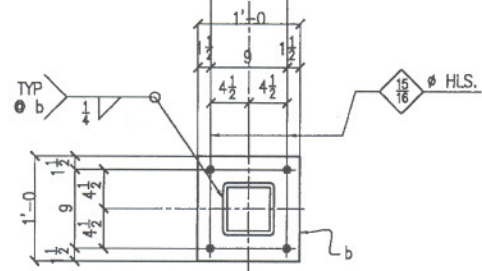
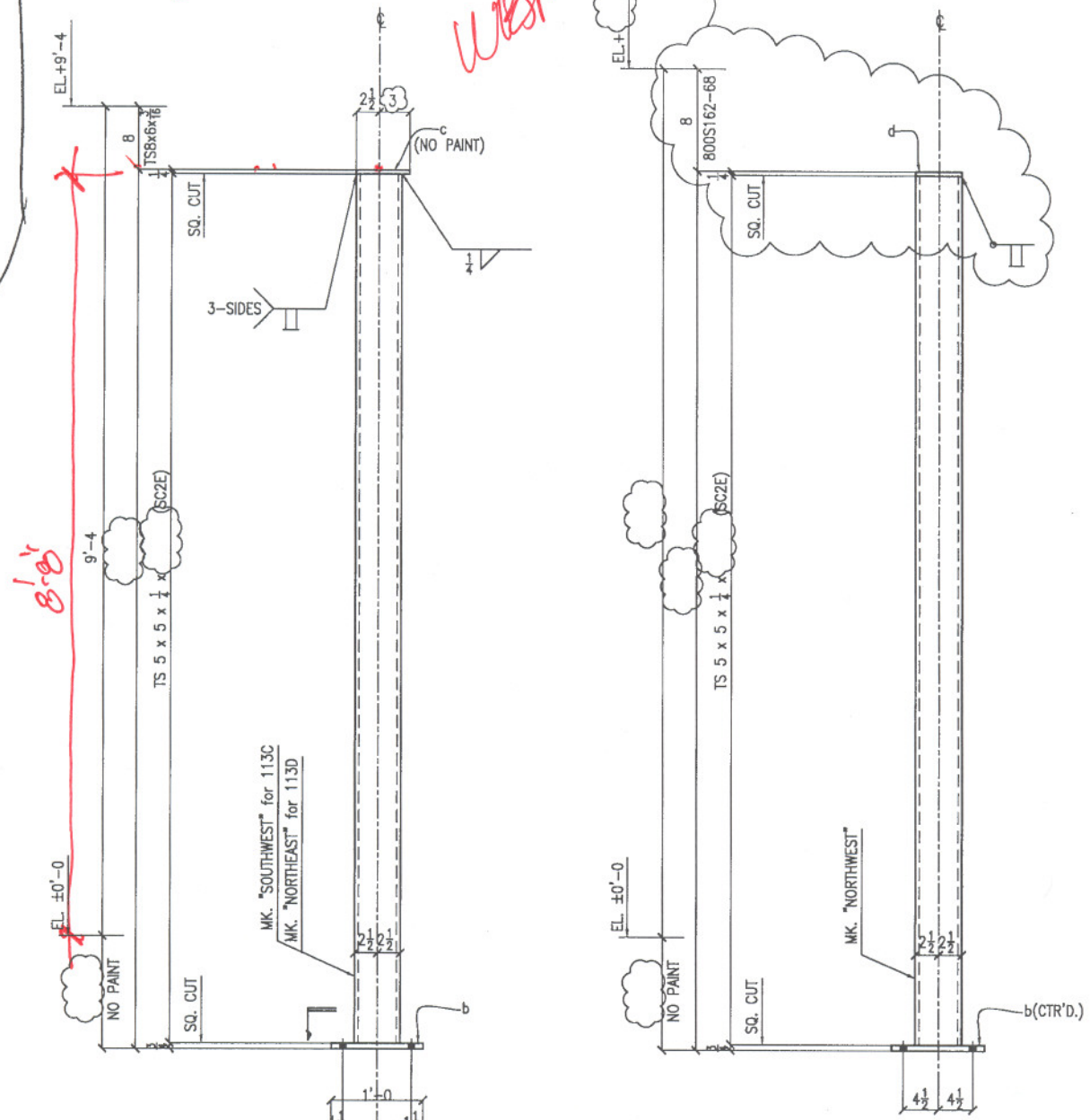


624 Q# 14

OK TO SUBMIT

WESPAC

APPROVER PLS. VERIFY CONNECTION DETAIL



APPROVER PLS VERIFY IF THR'D. STUDS ARE REQ'D. FOR THE ATTACHMENT OF NAILERS PER 17/A7.2.3

2 - COLUMNS - 113C (B2.1/BC) (B2.1/BF)

APPROVER PLS VERIFY IF THR'D. STUDS ARE REQ'D. FOR THE ATTACHMENT OF NAILERS PER 21/A7.2.3

2 - COLUMNS - 113D (B2.1/BD) (B2.1/BG)

2 - COLUMNS - 113E (B2.5/BC) (B2.5/BG)

LEGEND:

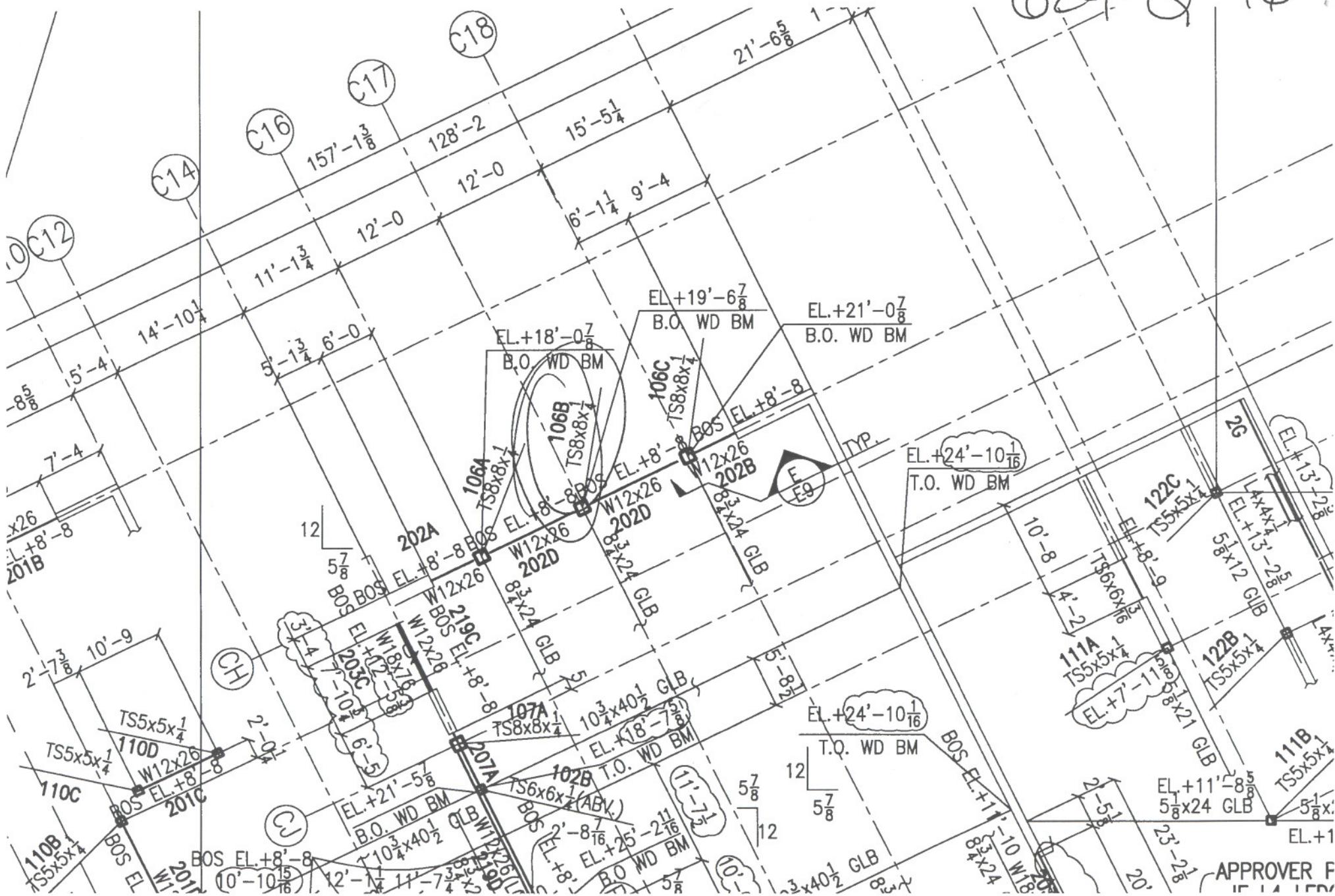
\*APPROVER PLS VERIFY/SUPPLY DIMNS MKD.

NO	PRE
1	1
2	2
3	3
4	4
5	5
6	6
SI	
1.	
2.	
3.	
4.	
5.	
6.	
R	
No	DA
1	10/
2	12/
No	
DA	
JOB	
LOCA	
SCL	
DWR	
C	
2	
DRAW	
C-100	





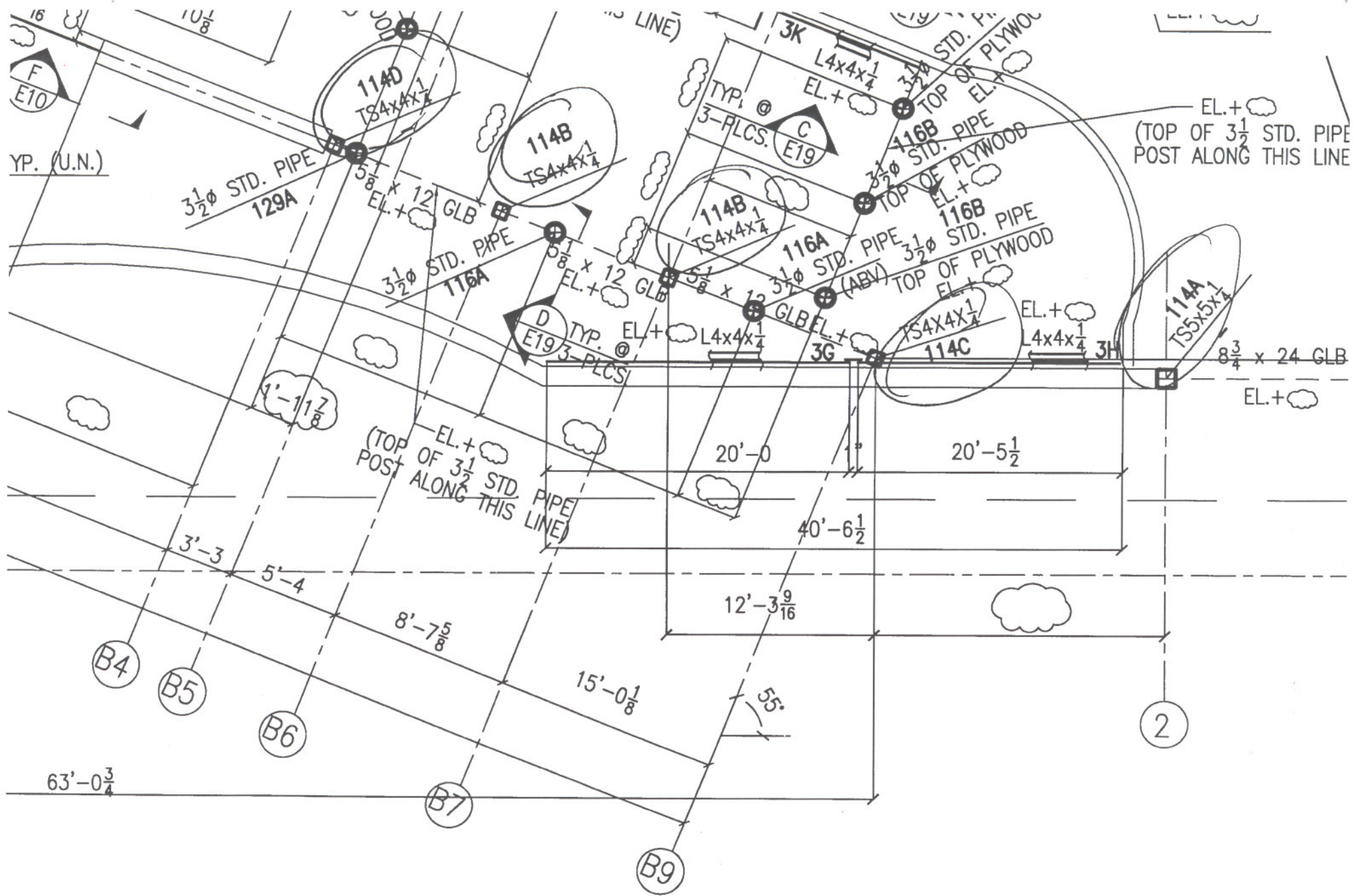
624 Q#16



APPROVER F



624 Q#17

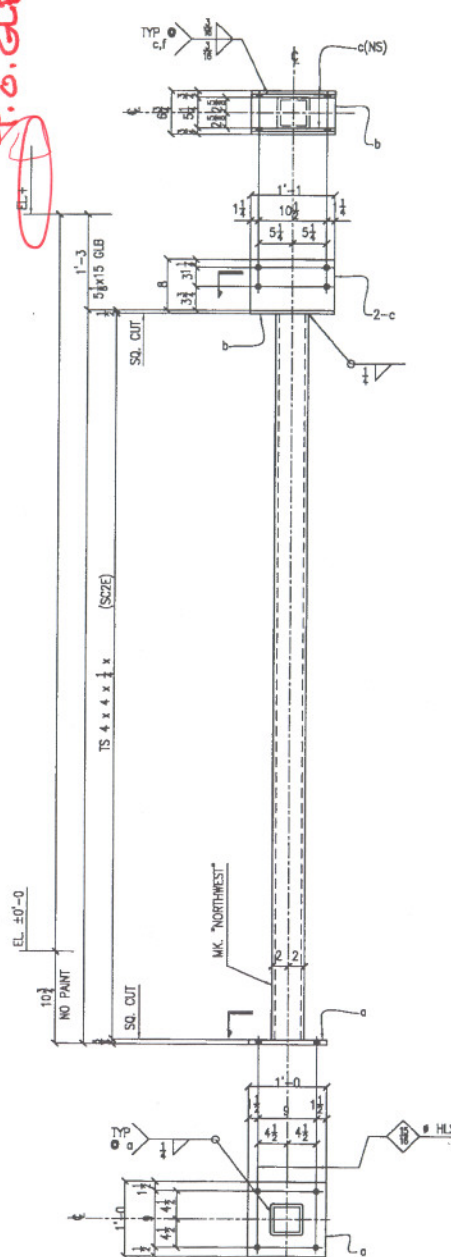


SHAUNA - PLEASE PROVIDE

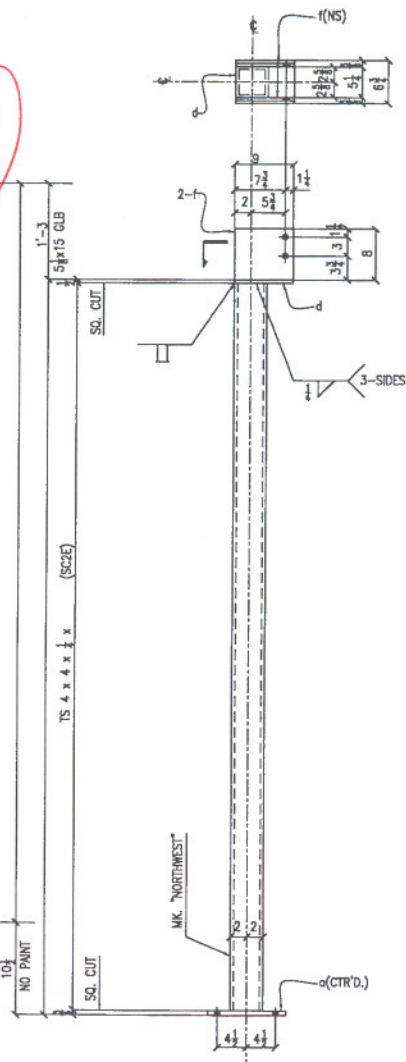
624 Q# 18

+ 11'-3" T.O. GLB

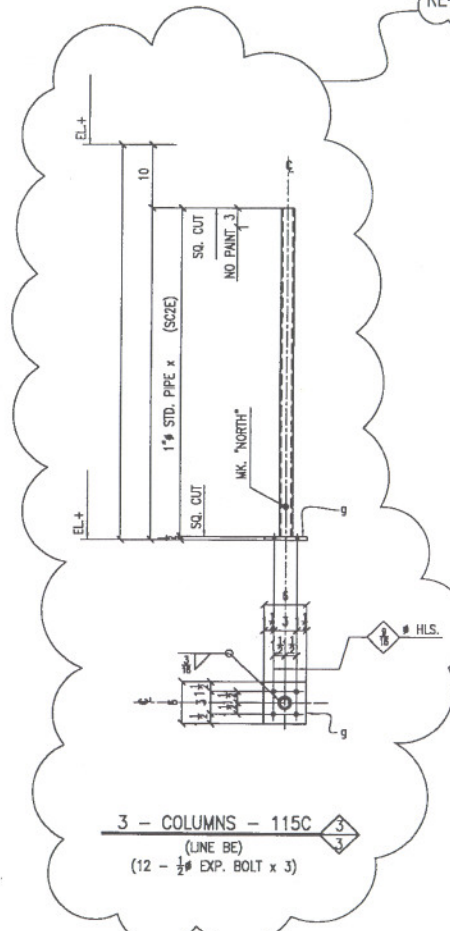
11'-3" T.O. GLB



ONE - COLUMN - 115A



ONE - COLUMN - 115B  
(BC/B5)



3 - COLUMNS - 115C  
(LINE BE)  
(12 - 1/2" EXP. BOLT x 3)

HOLD FOR STRUCTURAL RE-DESIGN

NO. OF PIECES	AMOUNT	QTY
ONE	115A	TS 4 x 4
1	a	EL ± x 12
1	b	EL ± x 8
2	c	EL ± x 8
ONE	115B	TS 4 x 4
1	a	EL ±
1	d	EL ± x 8
2	f	EL ± x 8
3	115C	1 1/2 STD. P
3	g	EL ± x 8

- SHOP NOTES:
1. ALL MAT'L'S : A36
  2. OPEN HOLES : 1/8"
  3. EDGE DISTANCE :
  4. CORNER CLIPS :
  5. ALL WELDS : E70
  6. PAINT : 1-S/C F

REF. E2, E12

REVISION		
No	Date	For
1	10/11	FOR APPROVAL
2	12/18	FOR FABRICATION

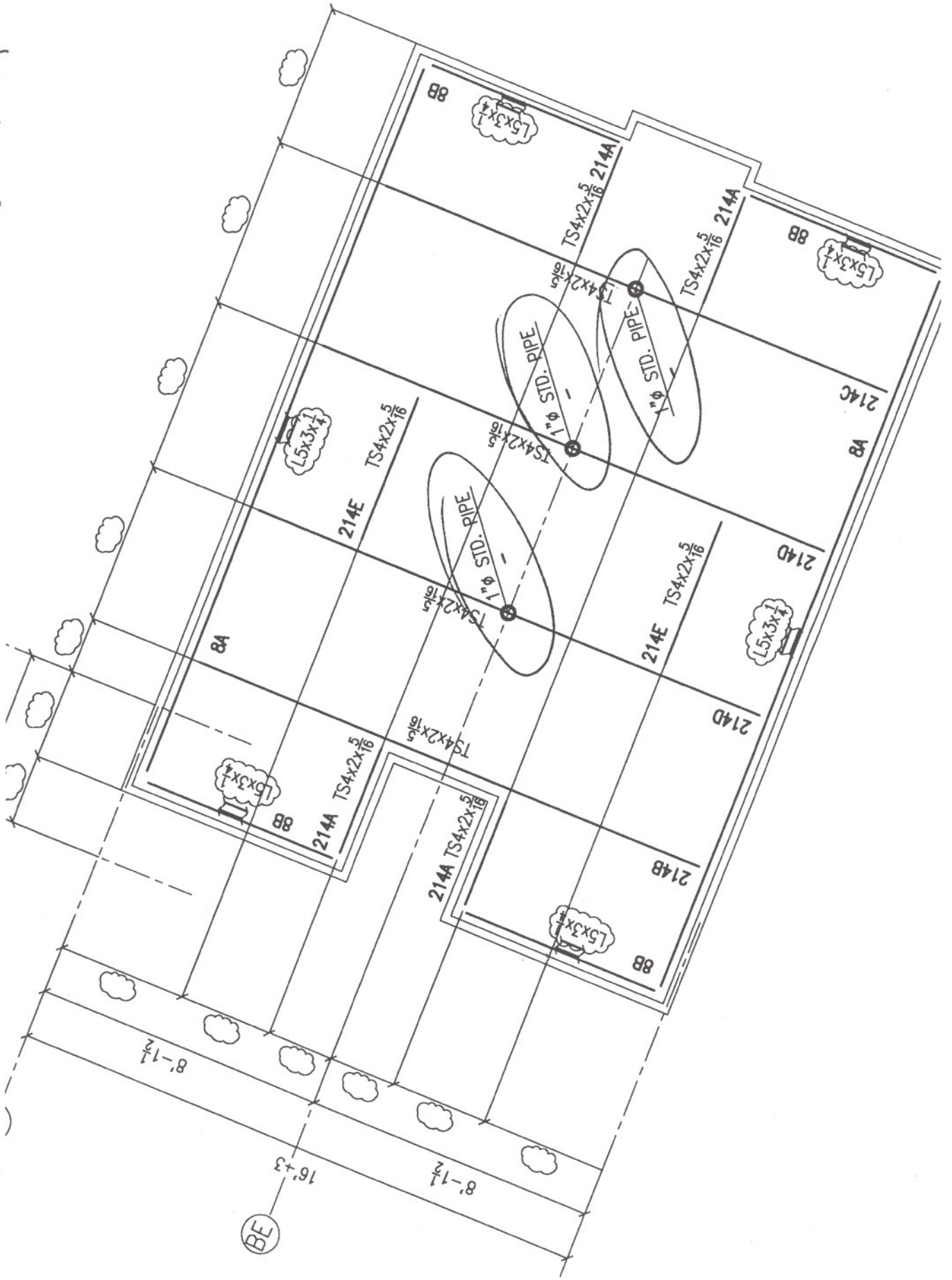
PRINTS		
No	Date	For

LEGEND:  
▲ PHASE #

JOB NAME TRILOGY CENTR  
LOCATION 1645 TRILOGY  
GEO. CONTR. WESPAC CONST



024 Q #18



624 Q#19

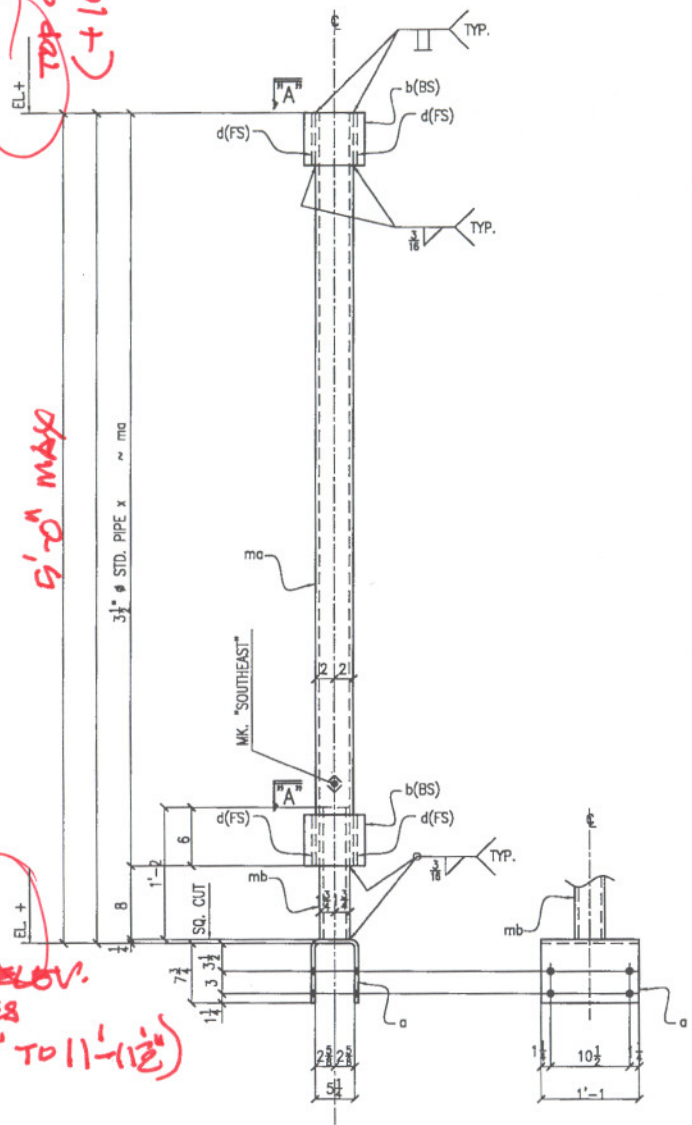
APPROVER PLS  
PL 1/4 x 5 x :  
PER 25

APPROVER

TOP OF PARAPET  
(+16.8')

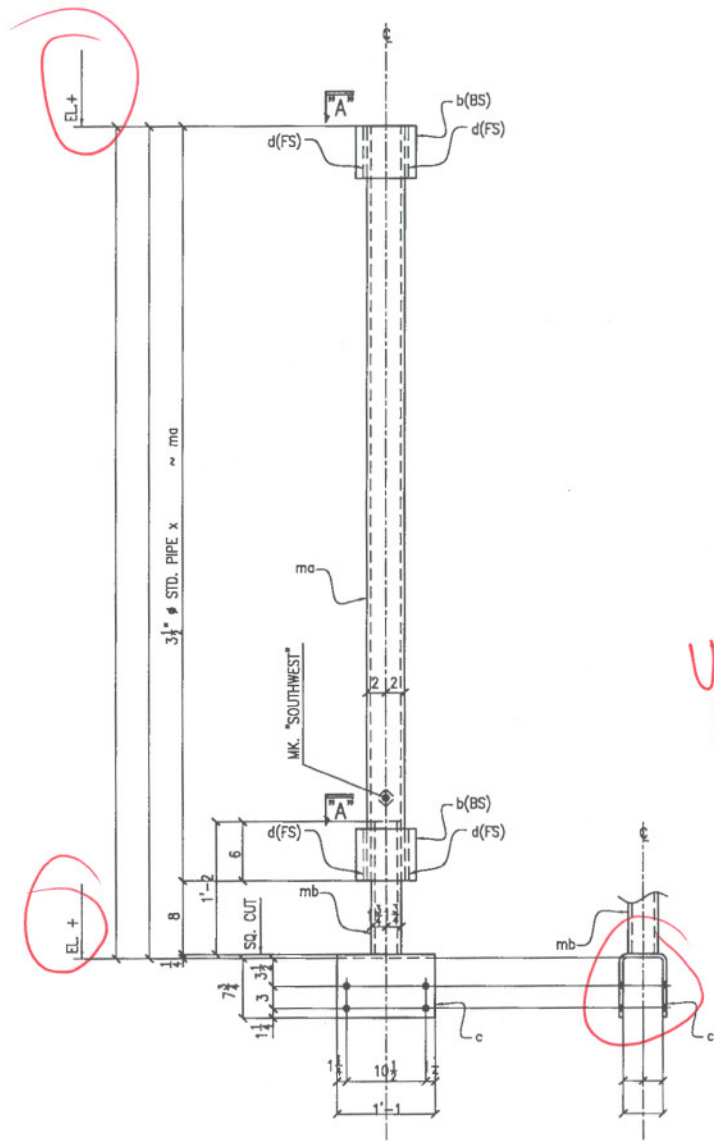
5'-0" MAX

ROOF ELEV.  
VARIES  
(11'-3" TO 11'-11 1/2")



6 - POST - 116A 3  
6  
 ( BH/BET. B6&B9 )  
 ( BC/BET. B5&B9 )  
 ( 24 - 3/4" M.B. x 7 )

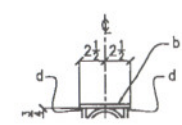
APPROVER  
PLS VERIFY



9 - POST - 116B 3  
9  
 ( NEAR B4/BET BC&BH )  
 ( NEAR B9/BET BE&BH )  
 ( 36 - 3/4" M.B. x )

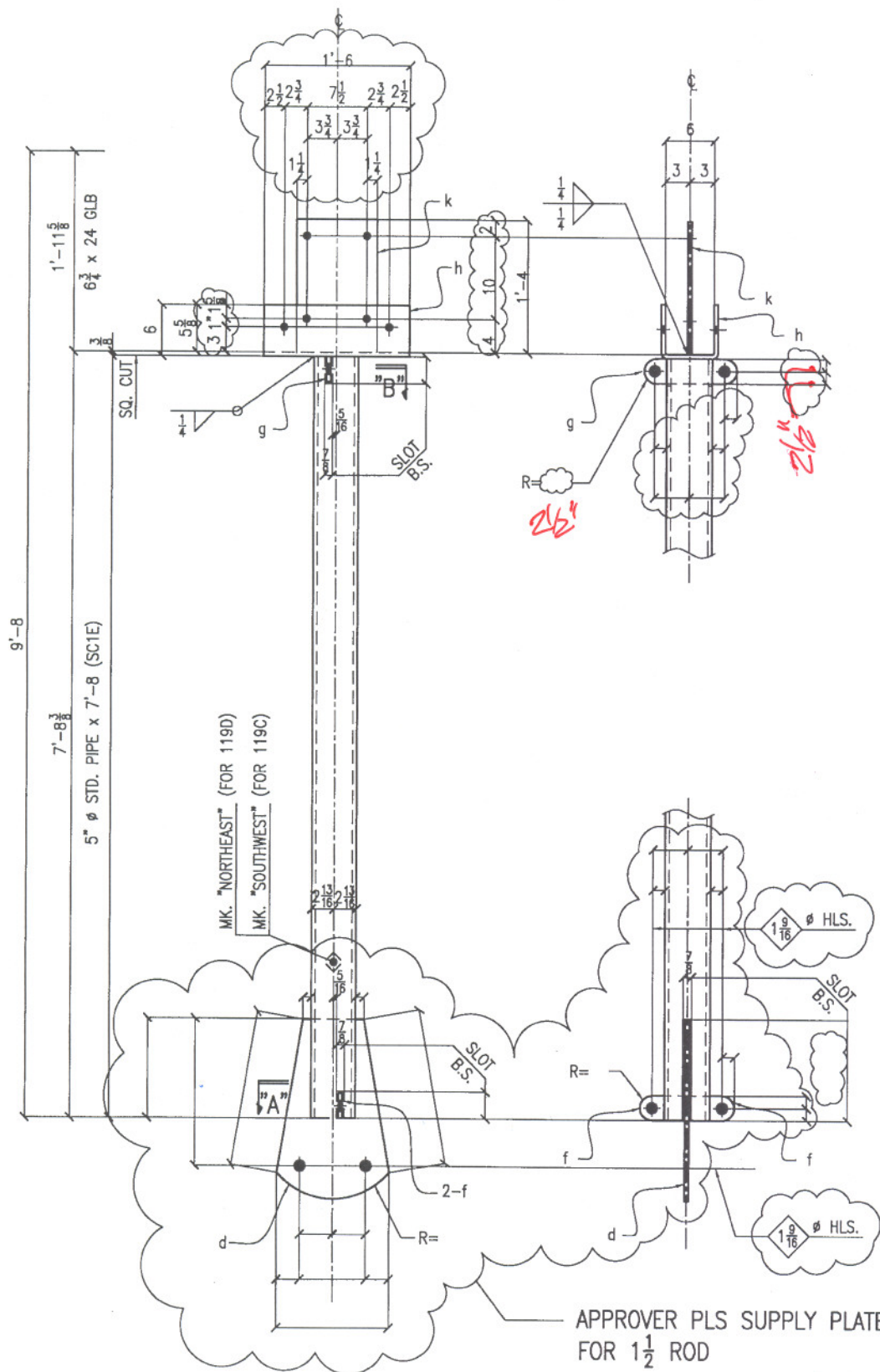
APPROVER  
PLS VERIFY

VERIFY WE  
HAVE BMS TO  
ATTACH TO.  
KEN CAN  
HELP ON  
THIS ONE  
REFER TO DETAILS  
289 & 291 - SHEET  
S2.2.2





624 Q#20

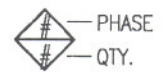


APPROVER PLS SUPPLY PLATE DIMNS.  
FOR 1 1/2" ROD

SEE ATTACHED DWGS

- 2 - POSTS - 119C 2/2  
(NEAR AG/BET. A2&A3)  
(NEAR AE/BET. A2&A3)
- 2 - POSTS - 119D 2/2  
(NEAR AD/BET. A2&A3)  
(NEAR AF/BET. A2&A3)

LEGEND:

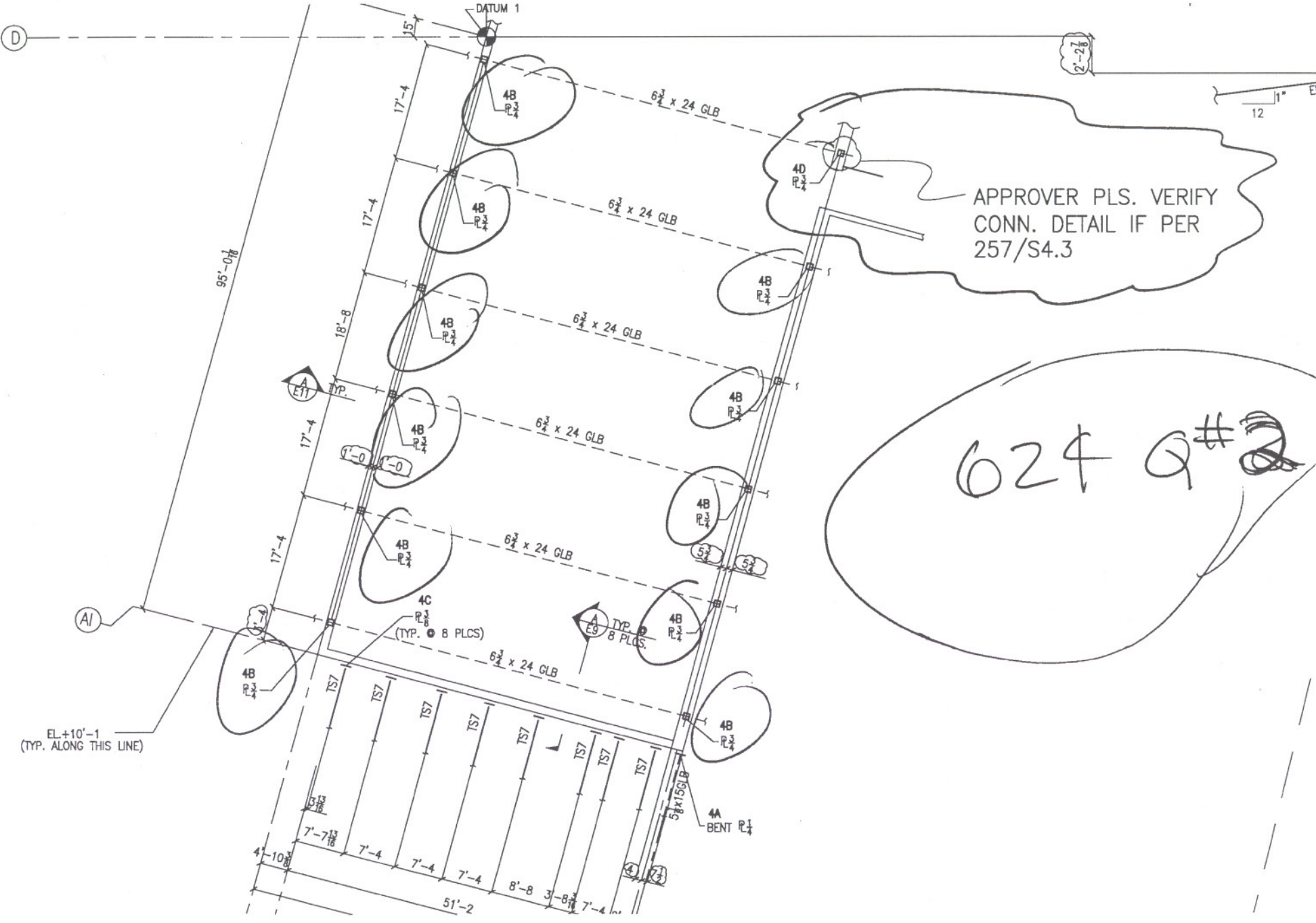
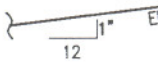






D

2'-2 1/2"



APPROVER PLS. VERIFY  
CONN. DETAIL IF PER  
257/S4.3

024 Q#2

EL+10'-1  
(TYP. ALONG THIS LINE)

DATUM 1

4B  
R 3/4

4B  
R 3/4

4B  
R 3/4

4B  
R 3/4

4B  
R 3/4

4C  
R 3/4  
(TYP. 8 PLCS)

4B  
R 3/4  
(TYP. 8 PLCS)

4B  
R 3/4

4B  
R 3/4

4B  
R 3/4

4A  
BENT  
R 1/4

4B  
R 3/4

4D  
R 3/4

4B  
R 3/4

4B  
R 3/4

4B  
R 3/4

4B  
R 3/4

4B  
R 3/4

4B  
R 3/4

6 1/2 x 24 GLB

6 1/2 x 24 GLB

6 1/2 x 24 GLB

6 1/2 x 24 GLB

6 1/2 x 24 GLB

6 1/2 x 24 GLB

5 1/2 x 15 GLB

15'

17'-4"

17'-4"

18'-8"

17'-4"

17'-4"

95'-0 1/8"

TS7

TS7

TS7

TS7

TS7

TS7

TS7

TS7

TS7

TS7

TS7

TS7

TS7

A  
E11  
TYP.

A  
E9  
TYP.  
8 PLCS.

A/I

1'-0" 1'-0"

5'-2" 5'-2"

4'-10 3/8"

7'-7 1/8"

7'-4"

7'-4"

7'-4"

8'-8"

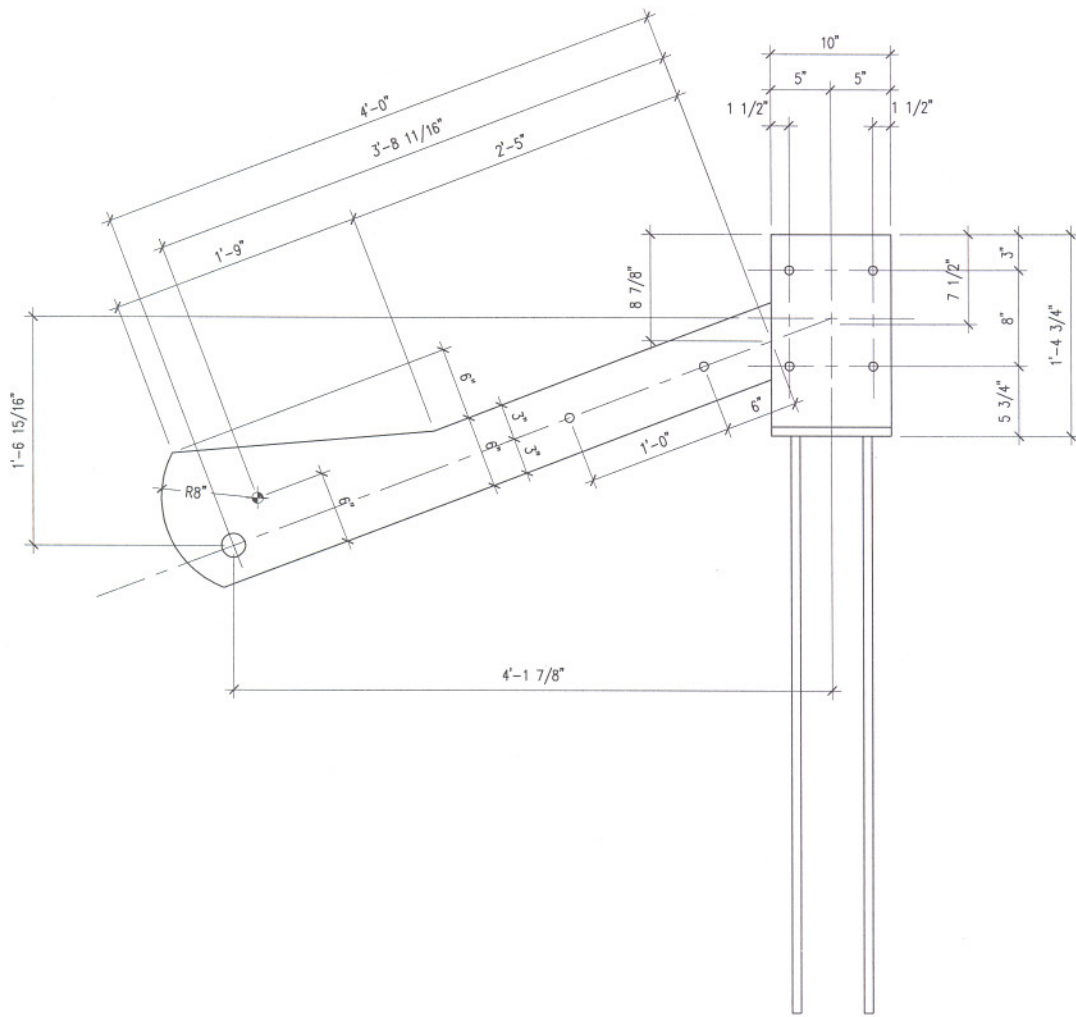
3'-8 1/8"

7'-4"

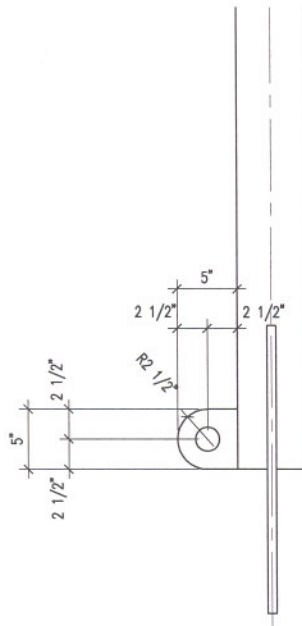
51'-2"

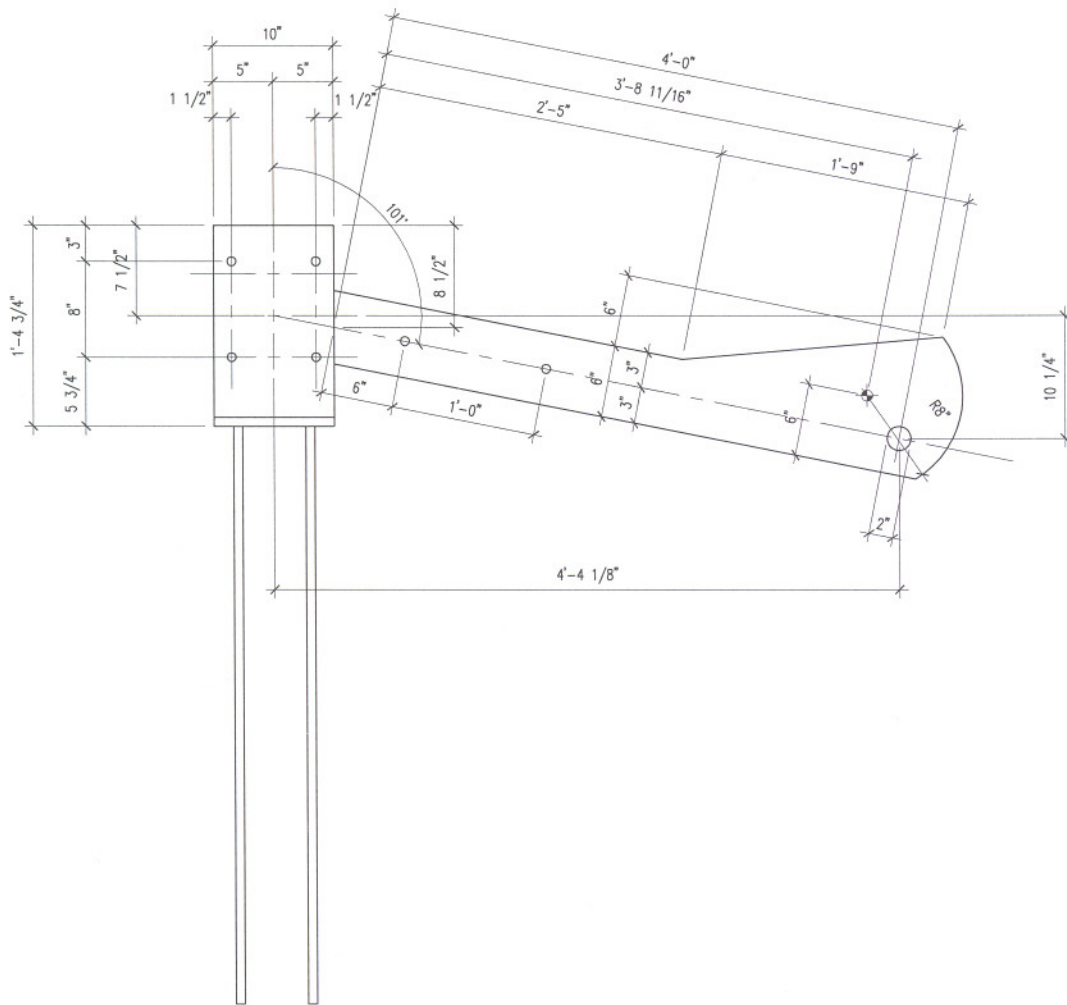
4

2

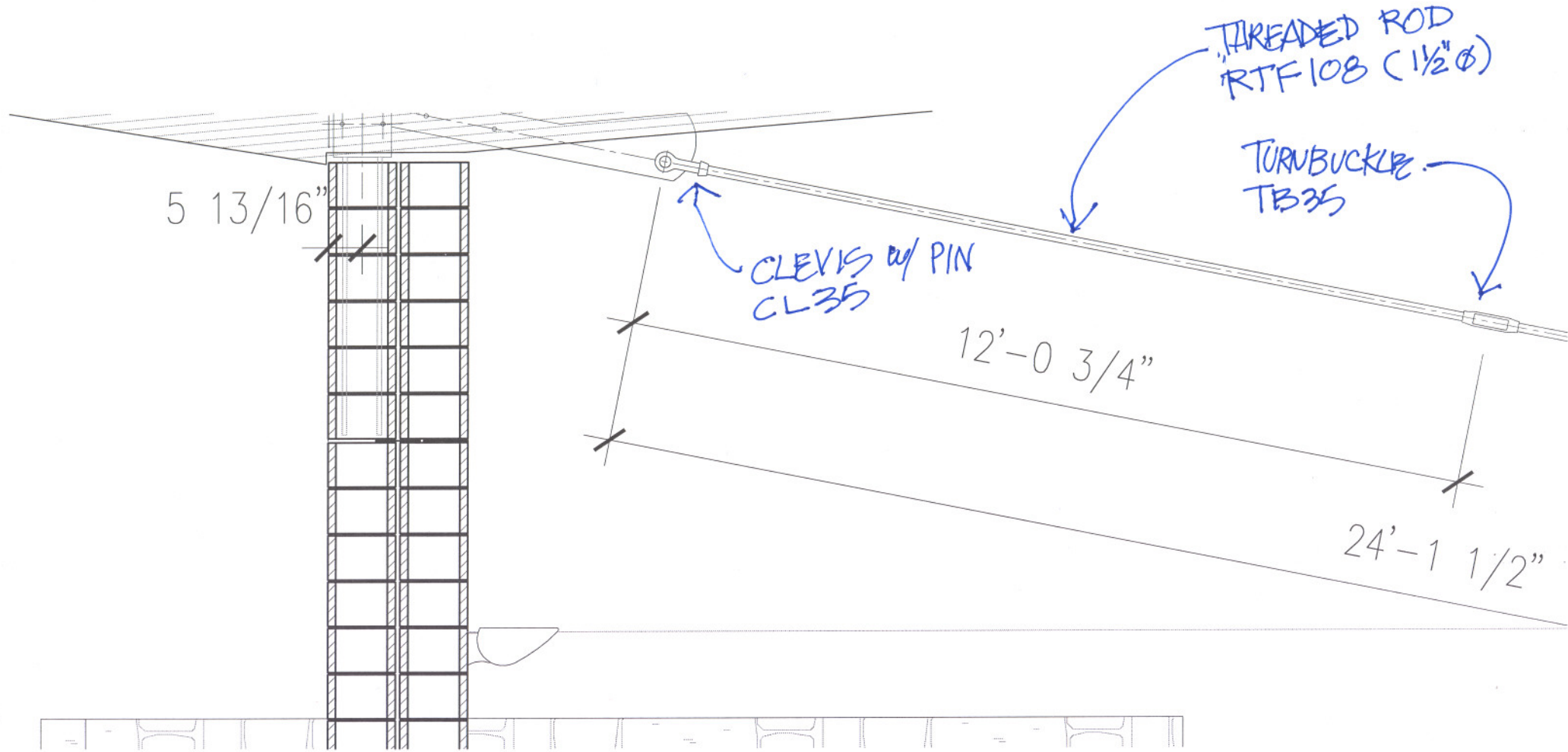






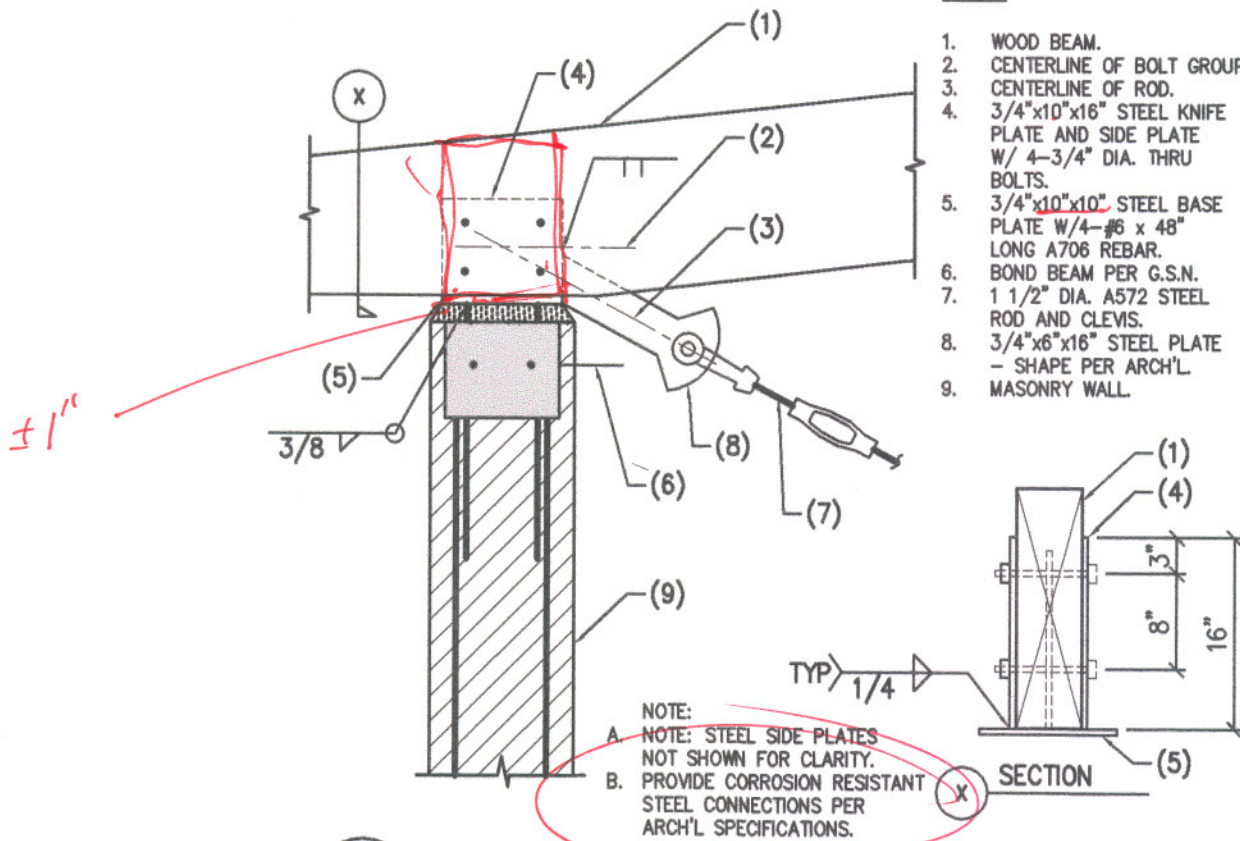


# CLEVELAND CITY FORGE



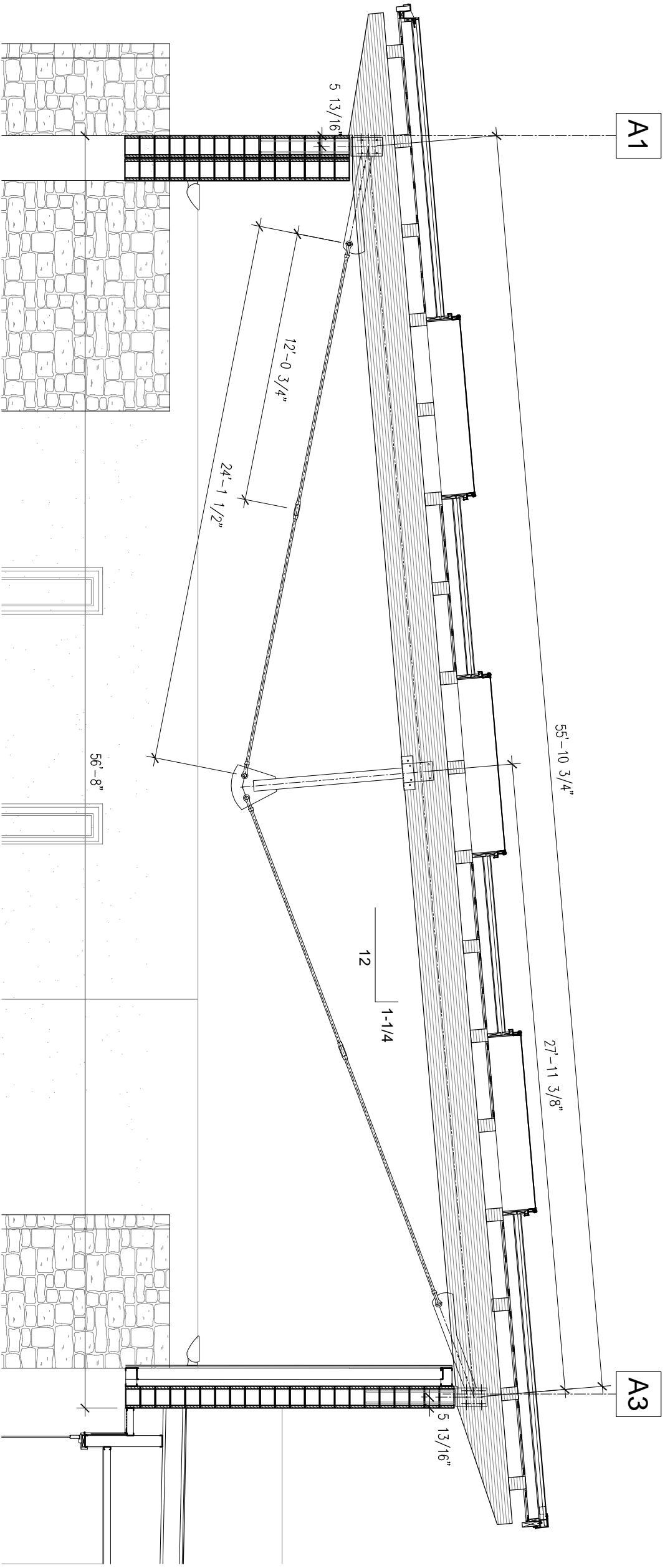
NOTES:

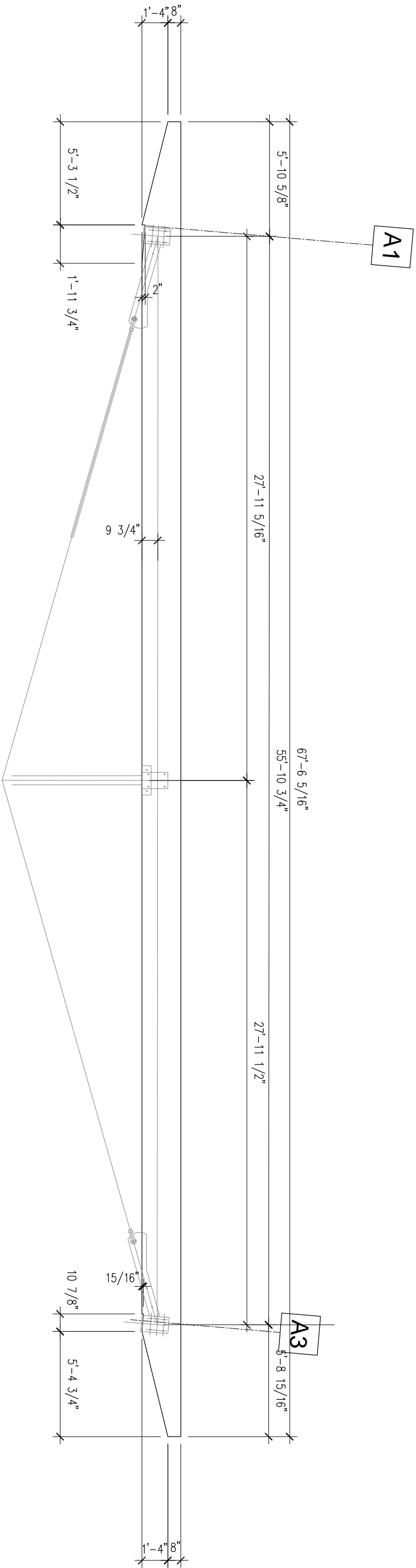
1. WOOD BEAM.
2. CENTERLINE OF BOLT GROUP.
3. CENTERLINE OF ROD.
4. 3/4"x10"x16" STEEL KNIFE PLATE AND SIDE PLATE W/ 4-3/4" DIA. THRU BOLTS.
5. 3/4"x10"x10" STEEL BASE PLATE W/4-#6 x 48" LONG A706 REBAR.
6. BOND BEAM PER G.S.N.
7. 1 1/2" DIA. A572 STEEL ROD AND CLEVIS.
8. 3/4"x6"x16" STEEL PLATE - SHAPE PER ARCH'L.
9. MASONRY WALL.

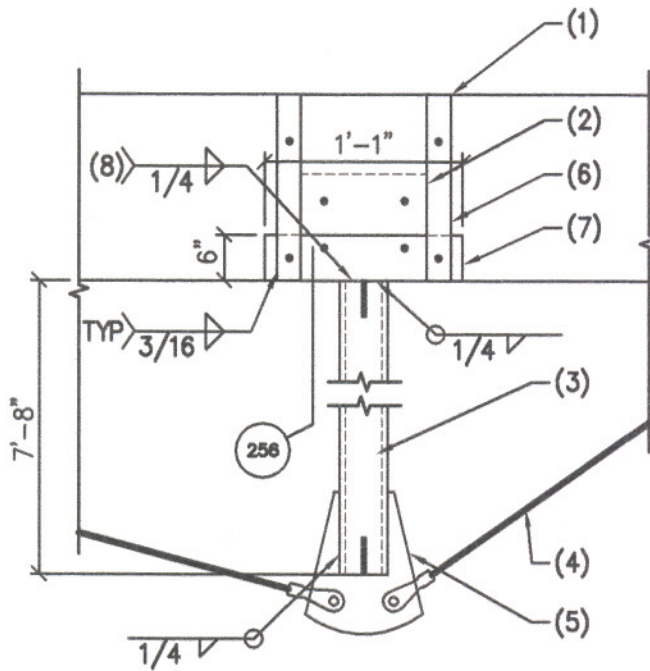


257

WOOD BEAM AT MASONRY WALL







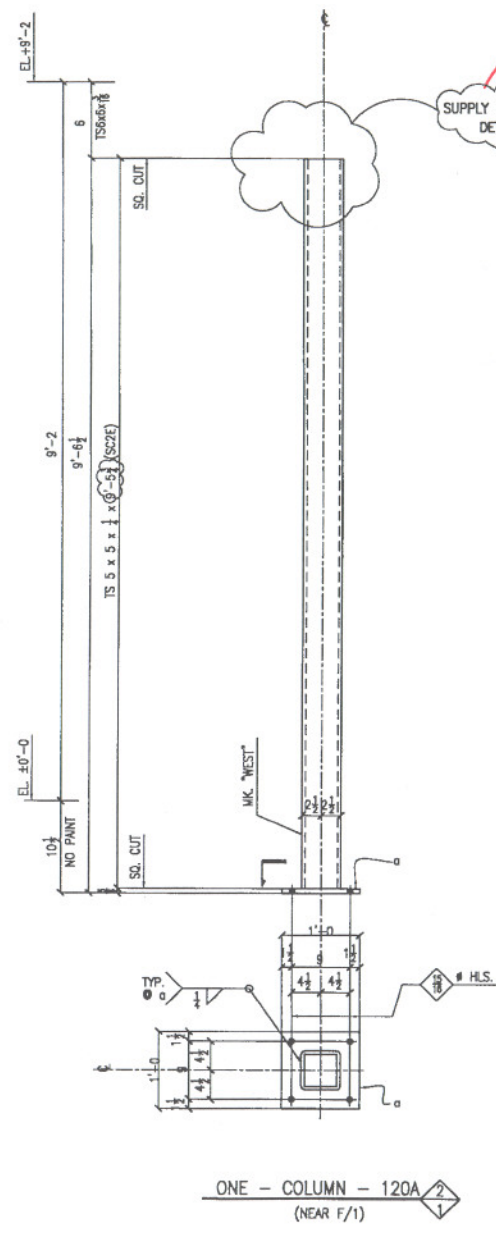
**NOTES:**

1. WOOD BEAM.
2. 3/4"x10"x16" STEEL KNIFE PLATE W/4-3/4" DIA. THRU BOLTS - COUNTERSUNK.
3. 5" DIA. STD. STEEL PIPE KING POST.
4. 1 1/2" DIA. STEEL ROD WITH CLEVIS AND TURNBUCKLES.
5. 3/4" PLATE THRU PIPE SHAPE PER ARCH'L.
6. 1/4"x3" STEEL STRAP W/ 2-3/4" DIA. THRU BOLTS.
7. 3/8" BENT PLATE. DAP BEAM FOR FLUSH FINISH.
8. KNIFE PLATE TO BENT PLATE.

NOTE:  
 PROVIDE CORROSION RESISTANT  
 STEEL CONNECTIONS PER  
 ARCH'L SPECIFICATIONS.

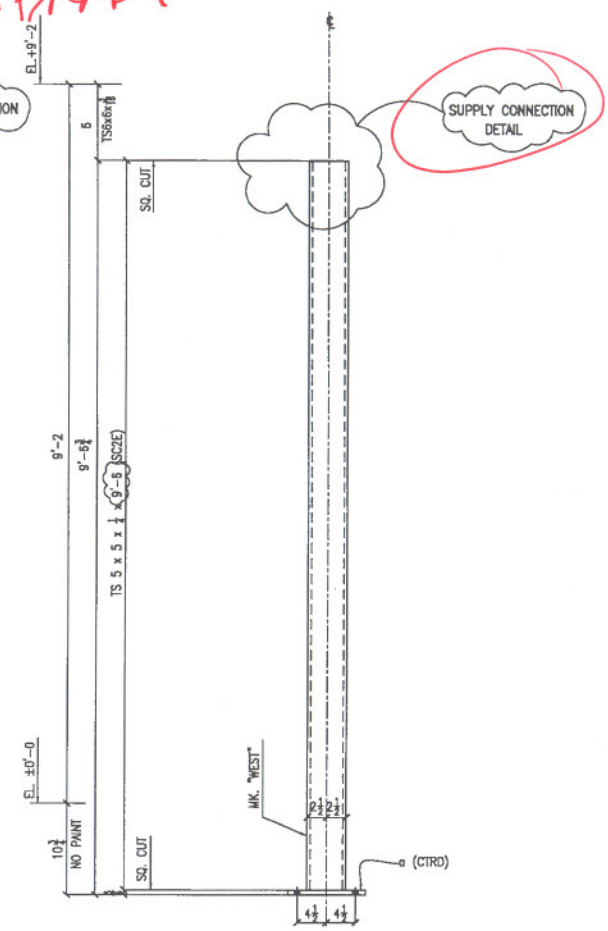
**256** STEEL CABLES AT KING POST

024 Q#21

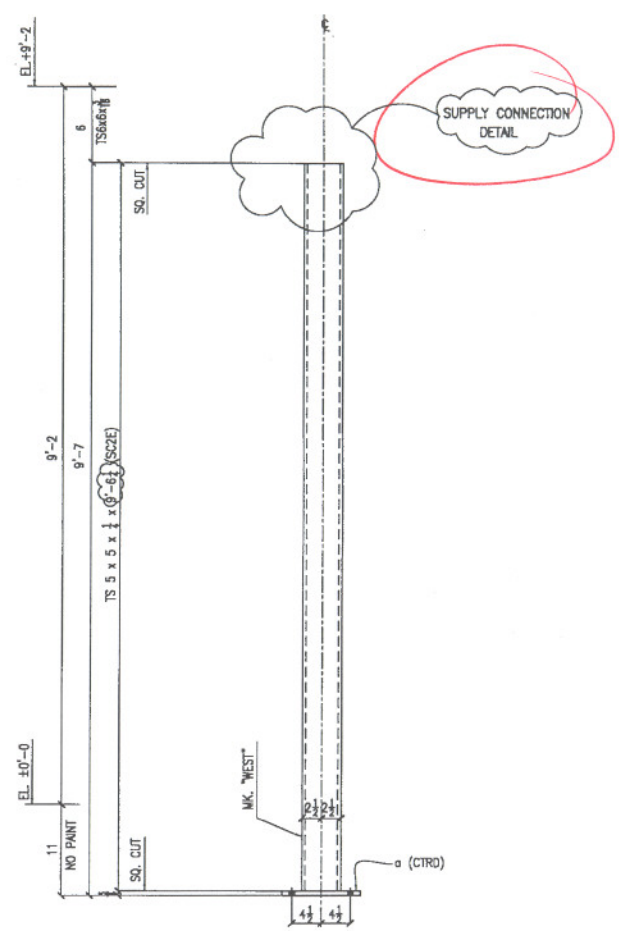


ONE - COLUMN - 120A  
(NEAR F/1)

BRADY



ONE - COLUMN - 120B  
(NEAR 1/1)



ONE - COLUMN - 120C  
(AB/1)

APPROVER PLS VERIFY IF THRD STUDS ARE REQ'D. FOR THE ATTACHMENT OF NAILERS PER 15/A7.2.4

WRSPAC TO HELP CONFIRM

ONE	120B	TS 5 x 5
1	a	€
ONE	120C	TS 5 x 5
1	a	€

- SHOP NOTES:
1. ALL MAT'LS : A36
  2. OPEN HOLES : 1/8"
  3. EDGE DISTANCE : 1/2"
  4. CORNER CLIPS :
  5. ALL WELDS : E70
  6. PAINT : 1-S/C F

REF. E3

REVISION		
No	Date	For
1	10/11	FOR APPROVAL
2	02/06	FOR FABRICATION

PRINTS

No	Date	For

JOB NAME TRILOGY CENTR  
LOCATION 1645 TRILOGY  
DRAWN BY WESPAC CONST  
DWG NO. COLUMN DETAIL

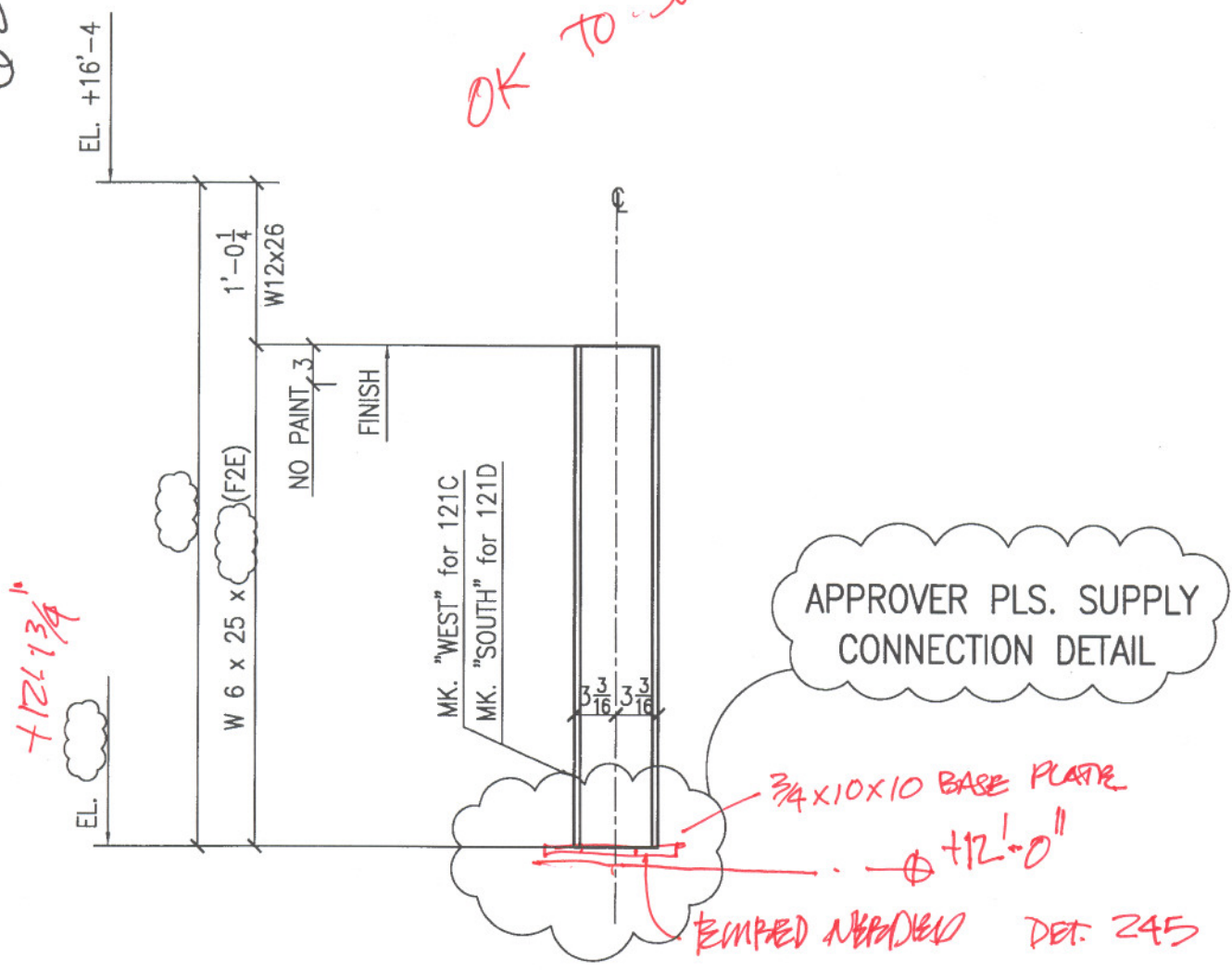
GBE ST

LEGEND:  
 PHASE #  
 QTY.



024 Q#22

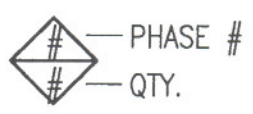
OK TO SUBMIT.



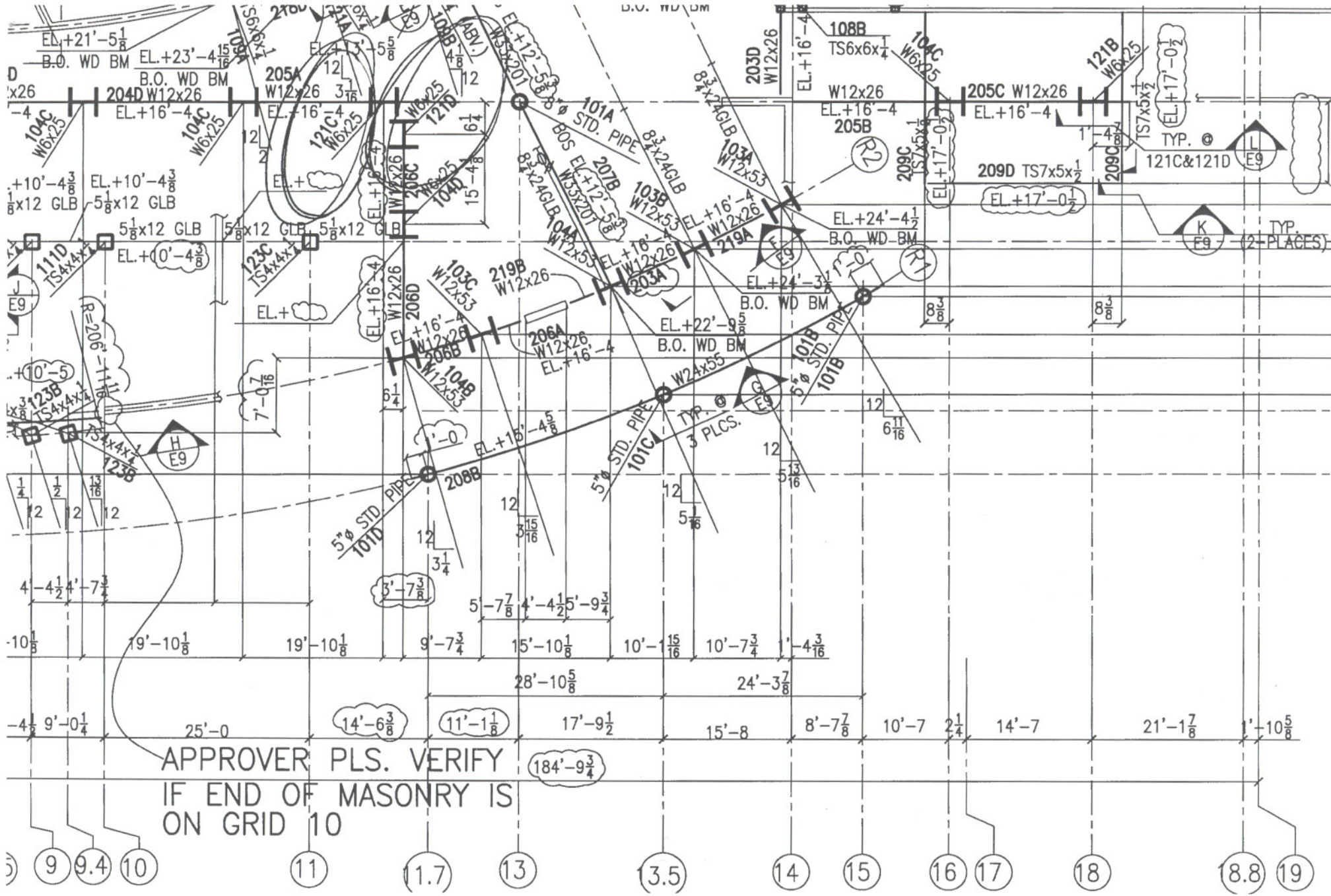
ONE - COLUMN - 121C  
 (E/BET 11&12) 1  
1

ONE - COLUMN - 121D  
 (NEAR E/NEAR 13) 1  
1

LEGEND:



624 Q#22



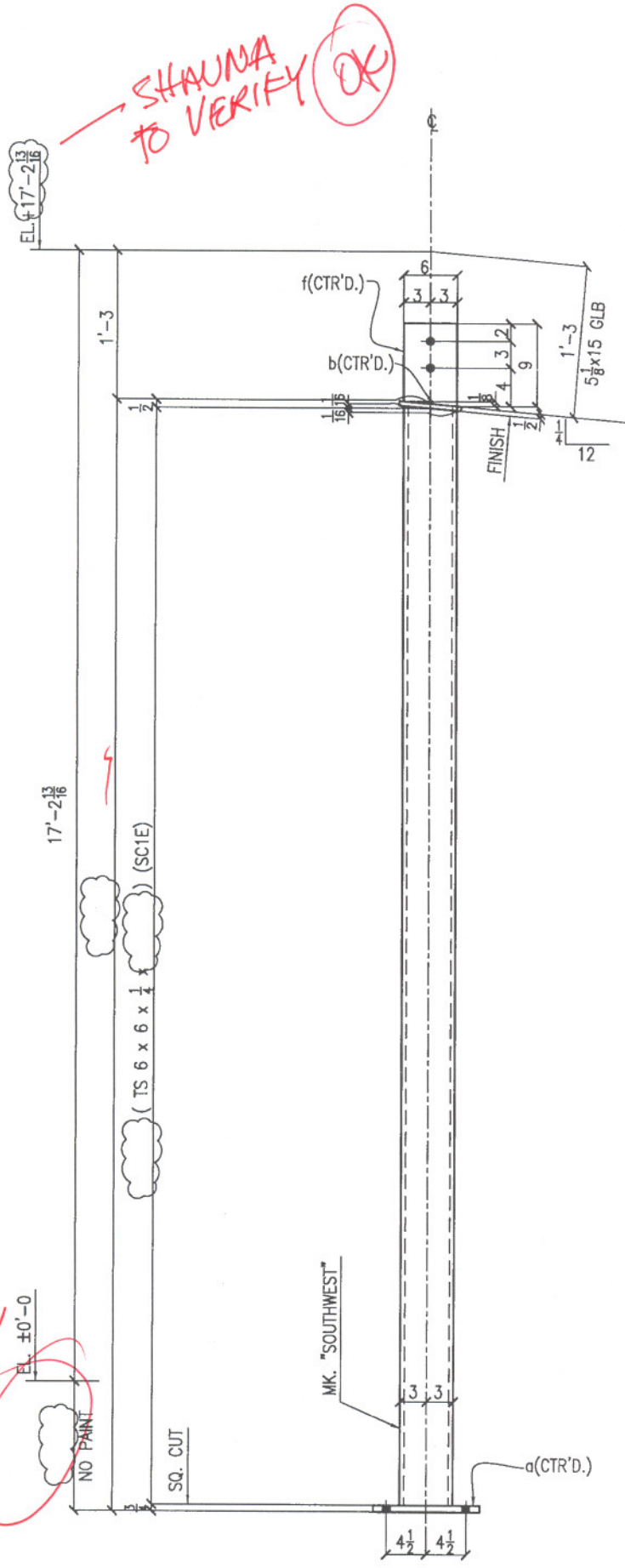
APPROVER, PLS. VERIFY  
IF END OF MASONRY IS  
ON GRID 10

184'-9 3/4





624 Q# 24



NO. OF PIECES	MARK	
ONE	127A	TS
1	a	R
1	b	R
1	c	R
ONE	127B	TS
1	a	R
1	b	R
1	d	R
ONE	127C	TS
1	a	R
1	b	R
1	f	R

- SHOP NOTES:
1. ALL MAT'L'S
  2. OPEN HOL.
  3. EDGE DIST.
  4. CORNER C
  5. ALL WELDS
  6. PAINT : 1-

REF. E3

REVIS		
No	DATE	FOR
1	12/08	FOR FABRK
PRINTS		
No	DATE	FOR

ONE - COLUMN - 127C (AJ/A9)

2/1

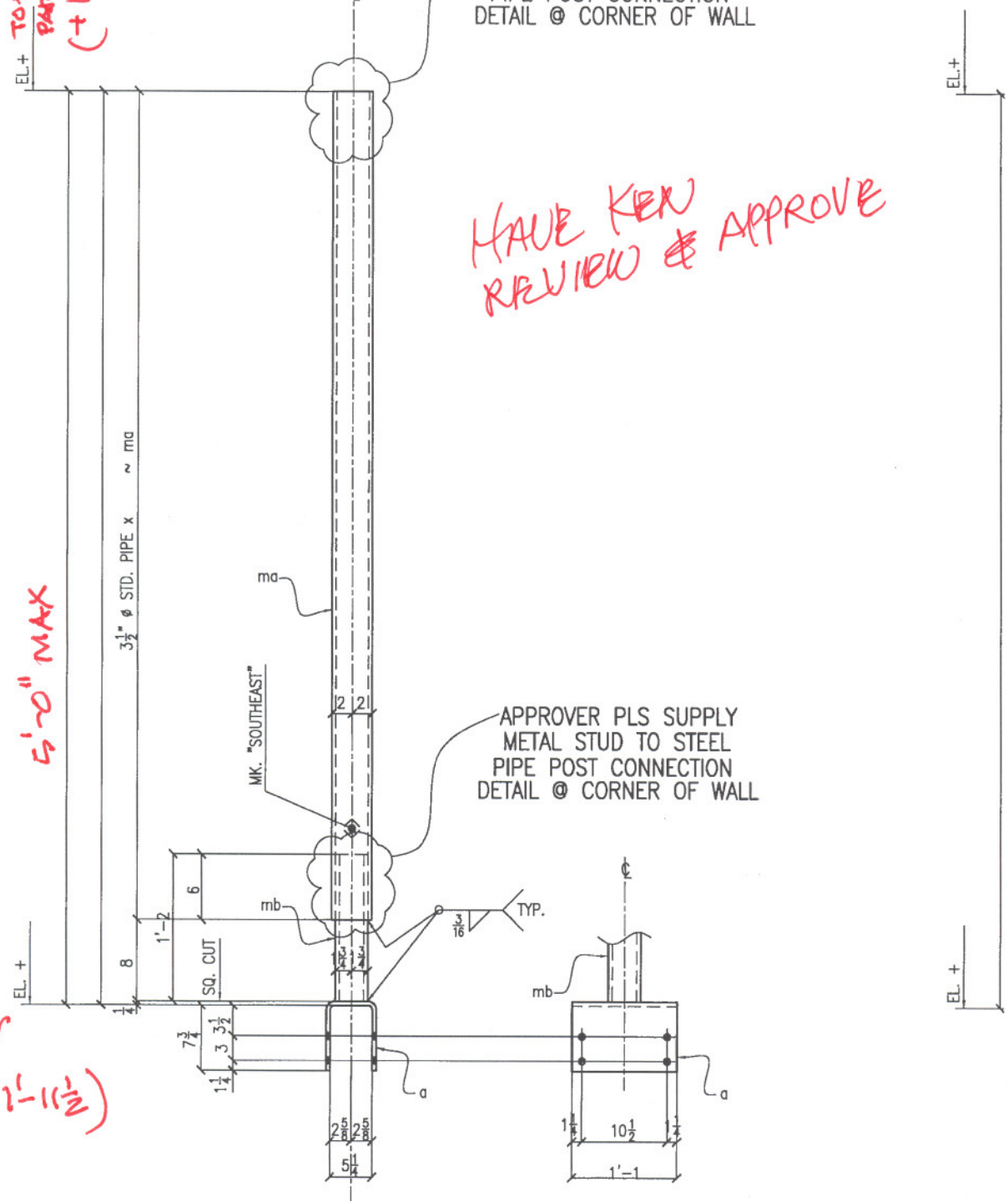
2/1





624 Q#26

TOP OF PARAPET (+16'-8")



APPROVER PLS SUPPLY METAL STUD TO STEEL PIPE POST CONNECTION DETAIL @ CORNER OF WALL

HAVE KEN REVIEW & APPROVE

APPROVER PLS SUPPLY METAL STUD TO STEEL PIPE POST CONNECTION DETAIL @ CORNER OF WALL

ROOF SLOPE VARIES (11'-3" TO 11'-11 1/2")

ONE - POST - 129A  $\frac{3}{1}$

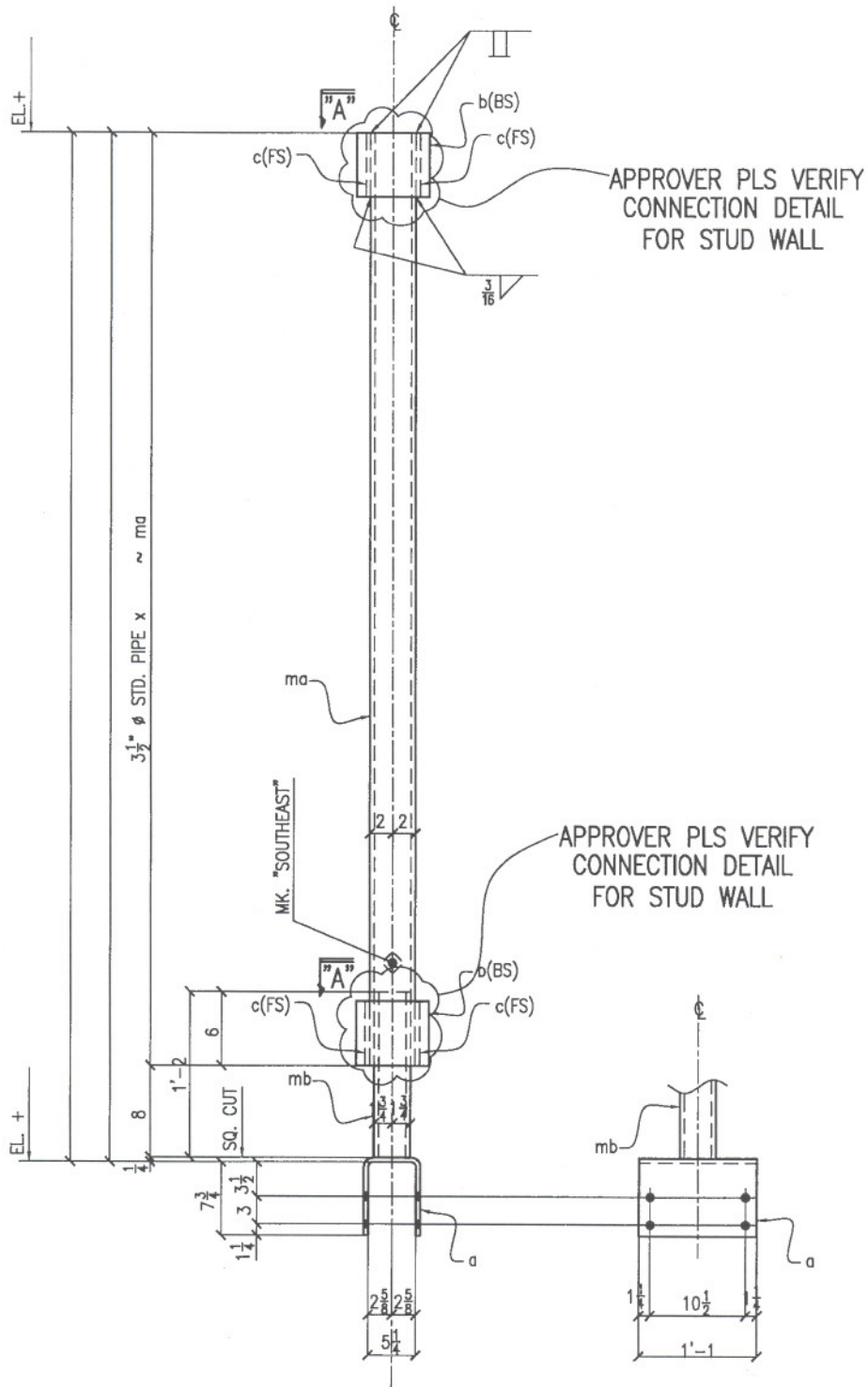
(NEAR B4/BH)

( 4 -  $\frac{3}{4}$ " M.B. x 7 )

624 Q# 26

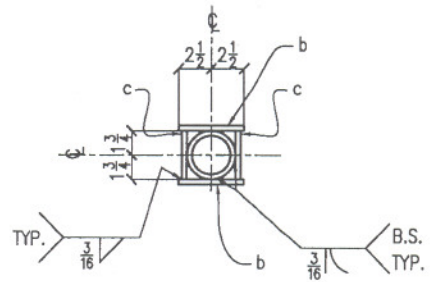
T

LL

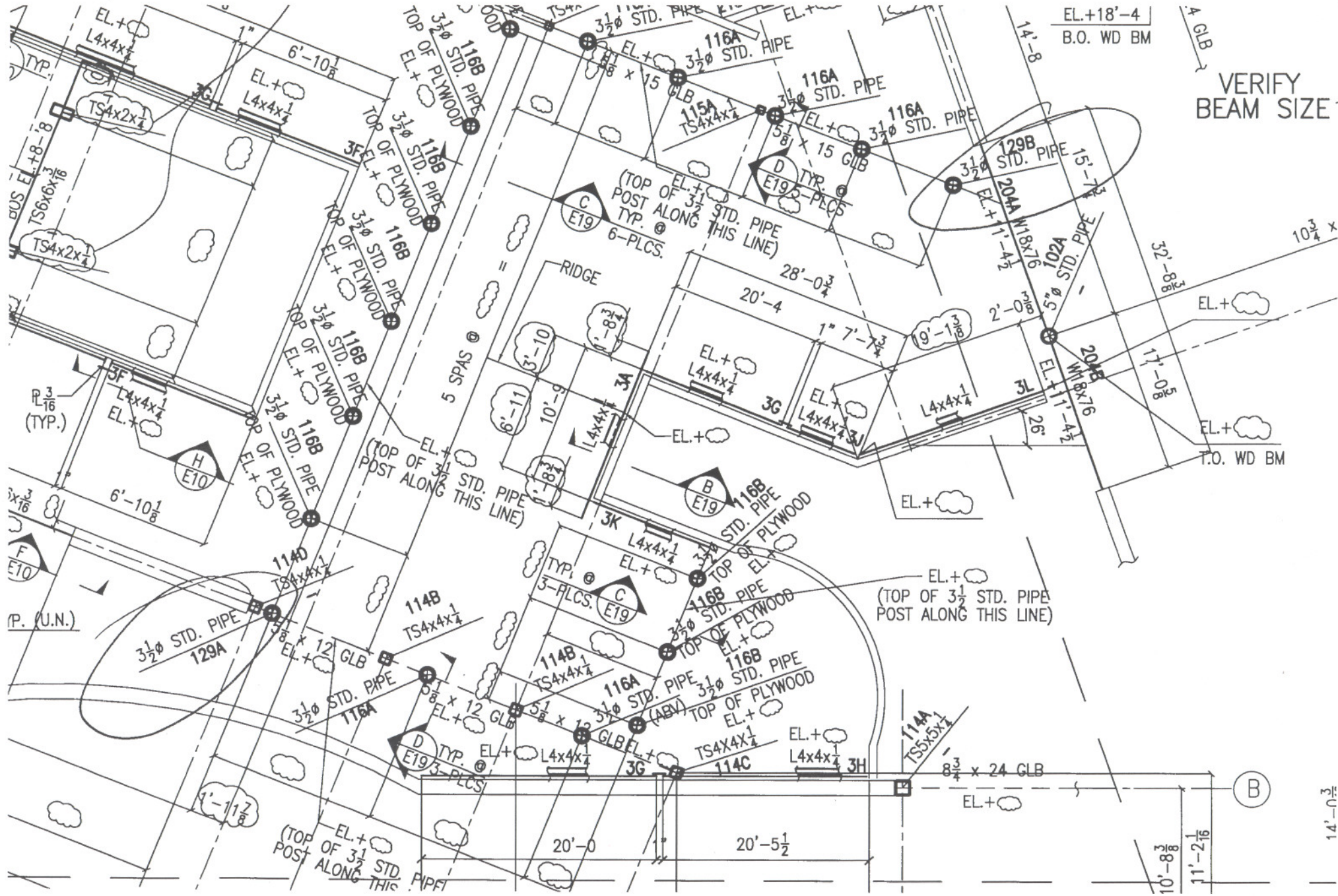


A

ONE - POST - 129B 3  
1  
 (NEAR B9/BC)  
 ( 4 - 3/4" M.B. x 7 )



024 Q#26



VERIFY BEAM SIZE

EL.+18'-4  
B.O. WD BM

T.O. WD BM

(B)

14'-0-7 1/2