

WEISER IRON
 APR 8 2007
 RECEIVED

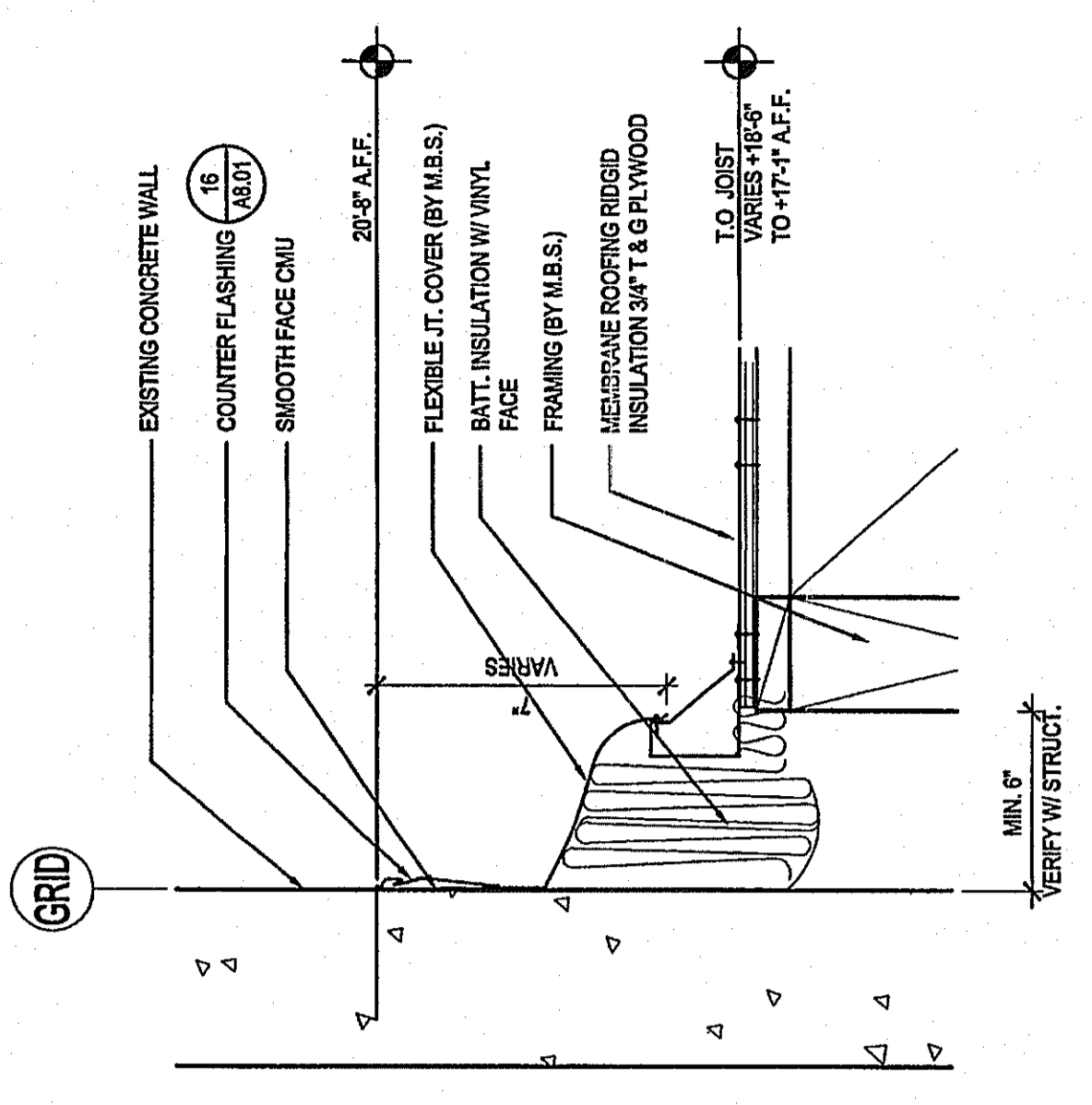
MITCHELL C. SMITH, ARCHITECT

DATE	DESCRIPTION
09-22-06	STARTUP SET
11-16-06	PERMIT SET
11-21-06	ISS SET
1-22-07	HEALTH DEPT. COMMENTS
1-12-07	PLAN CHECK COMMENTS
3-22-07	OWNER CHANGES
3-27-07	ISSUE FOR CONSTRUCTION

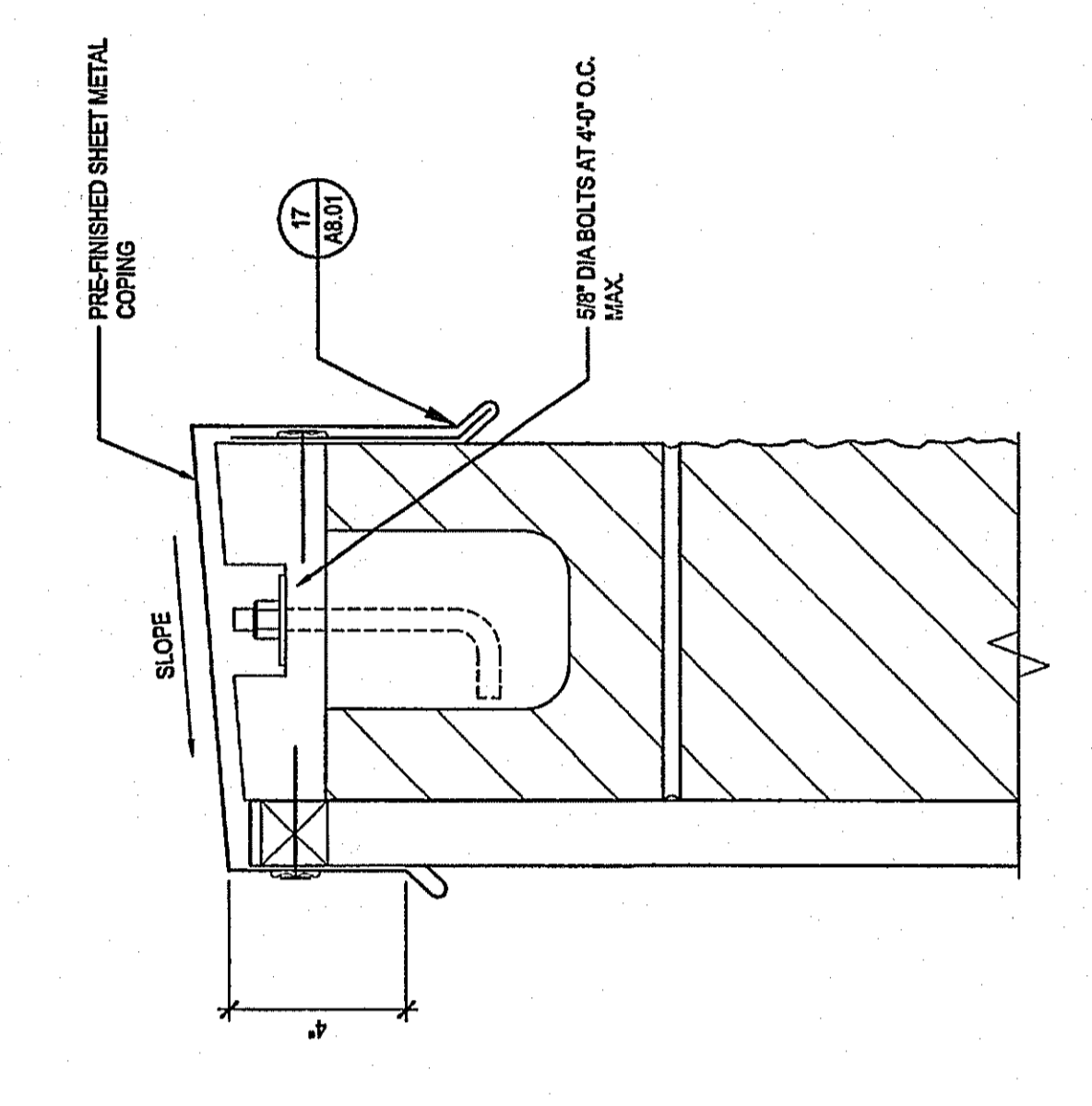
04-09-08
 P.M. DAVE PREUETT
 DRAWN: RB
 MARCH 27, 2007

TIRE CENTER SECTIONS AND DETAILS

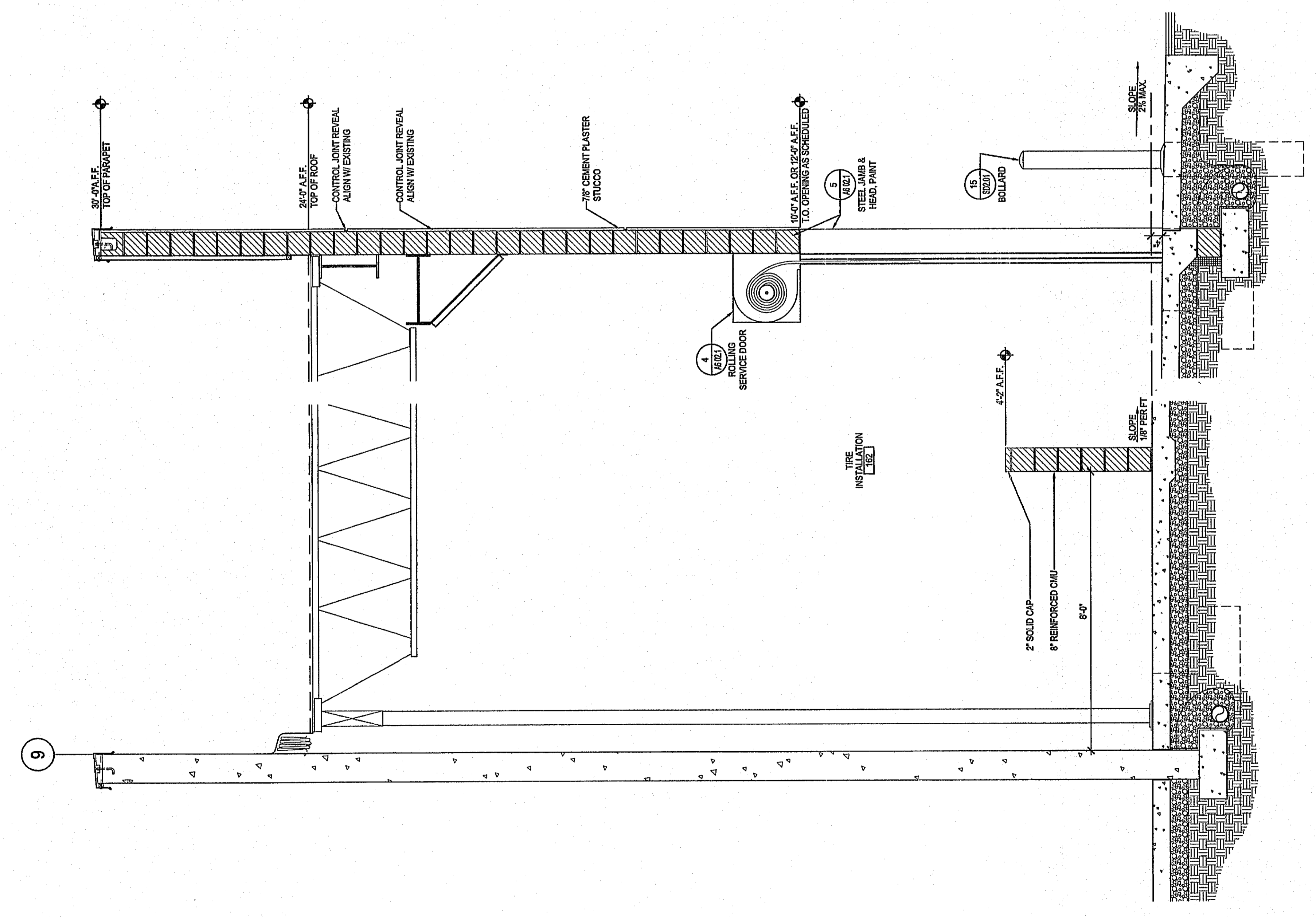
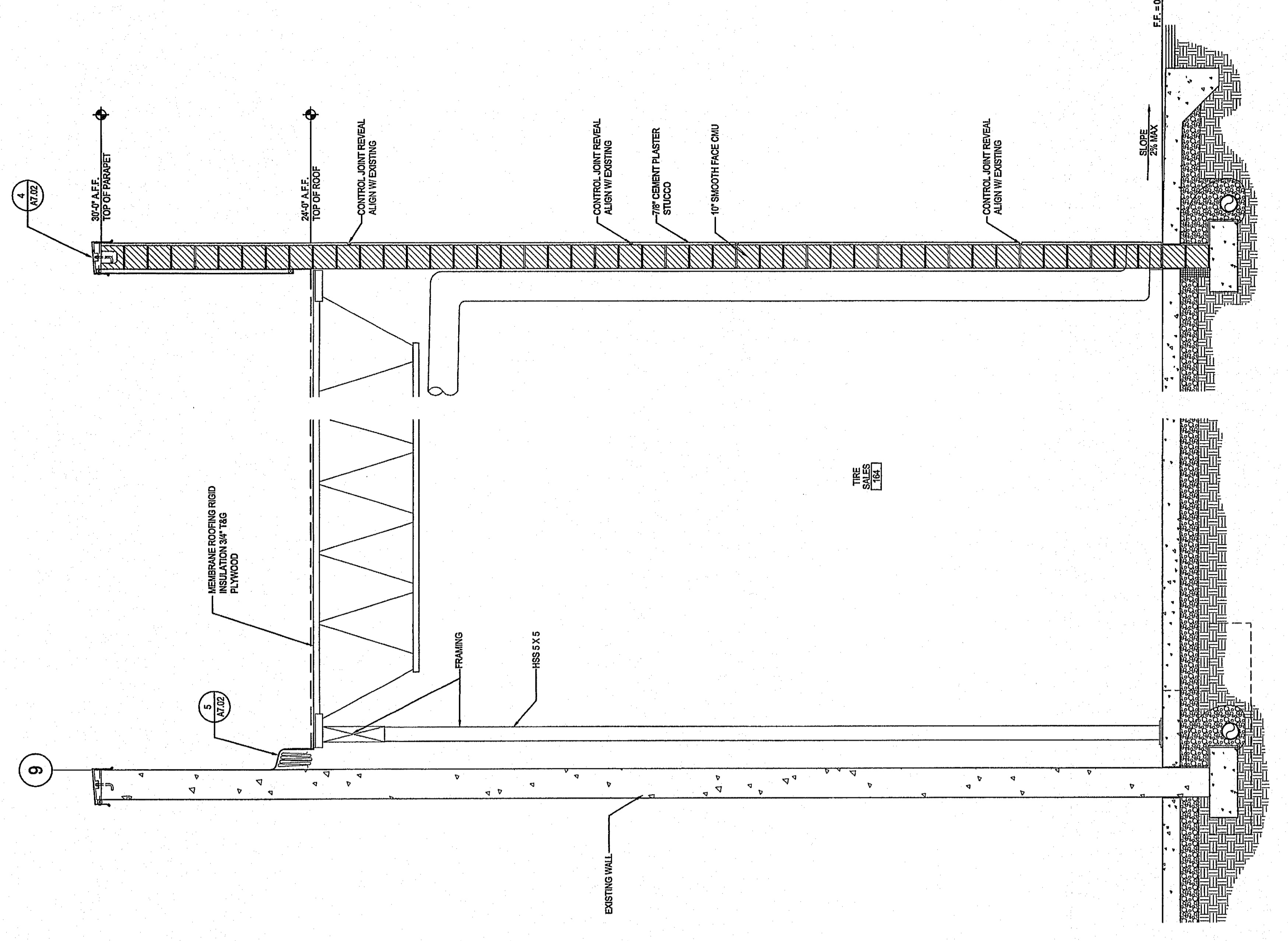
A7.02



5 ROOF JOINT COVER
 SCALE: 1/12" = 1'-0"
 13120004-1103



4 COPING DETAIL
 SCALE: 3" = 1'-0"



19 AT TIRE SALES
 SCALE: 1/2" = 1'-0"
 0105

17 AT TIRE INSTALLATION
 SCALE: 1/2" = 1'-0"
 0105