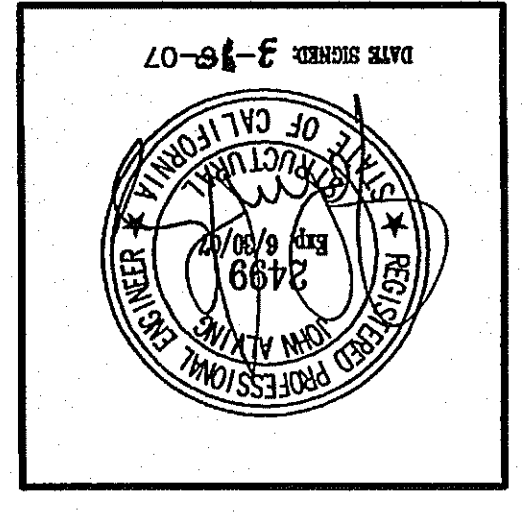


NO.	DRAWING REVISIONS	DATE
1	DRAWING DEPT. COMMENTS	2-16-07
2	DRAWING DEPT. COMMENTS	1-16-07
3	DRAWING SUBMITTALS	
4	SUBMIT FOR PERMIT	
5	SUBMIT FOR BID	11-21-06
6	SUBMIT FOR CONSTRUCTION	7-27-07

NO.	DRAWING REVISIONS	DATE

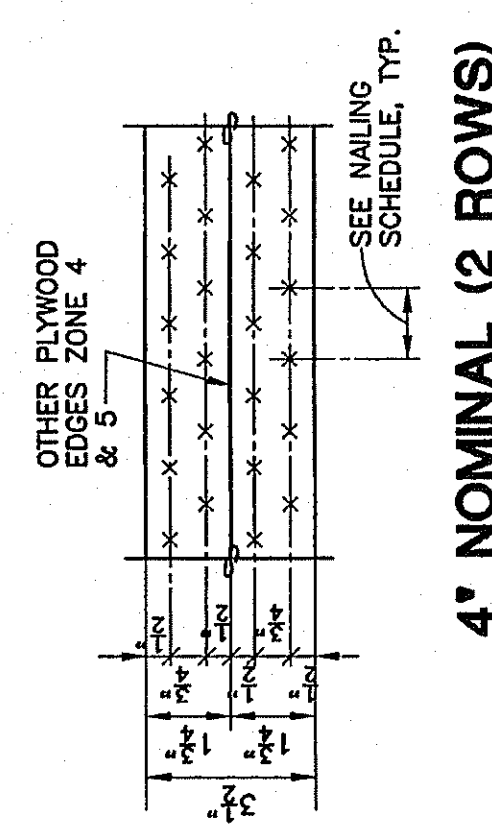


E.N.W. ENGINEERS NORTHWEST, INC., P.S.
 STRUCTURAL ENGINEERS
 6699 WOODLAND AVE. N.E. SEATTLE, WASHINGTON 98115
 (206) 925-7666, FAX (206) 922-8688
 WWW.ENWSEATTLE.COM

COSTCO WHOLESALE
 WAREHOUSE #455
 12700 DAY STREET
 MORENO VALLEY, CA 92553

SHEET CONTENTS:
 ROOF FRAMING PLAN

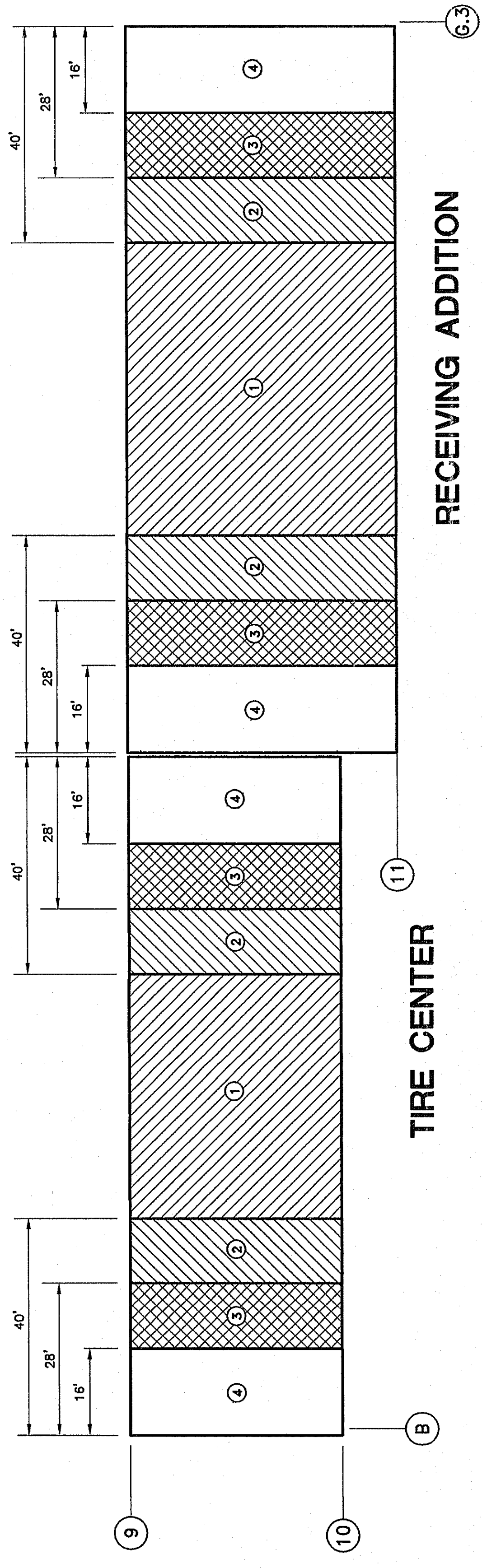
JOB NO: 9410009
 ENGINEER: P. VAN HEYNINGEN
 DRAWN: BUS
 DATE: 10-30-2006
 SHEET NO: **S1.2**
 OF 11



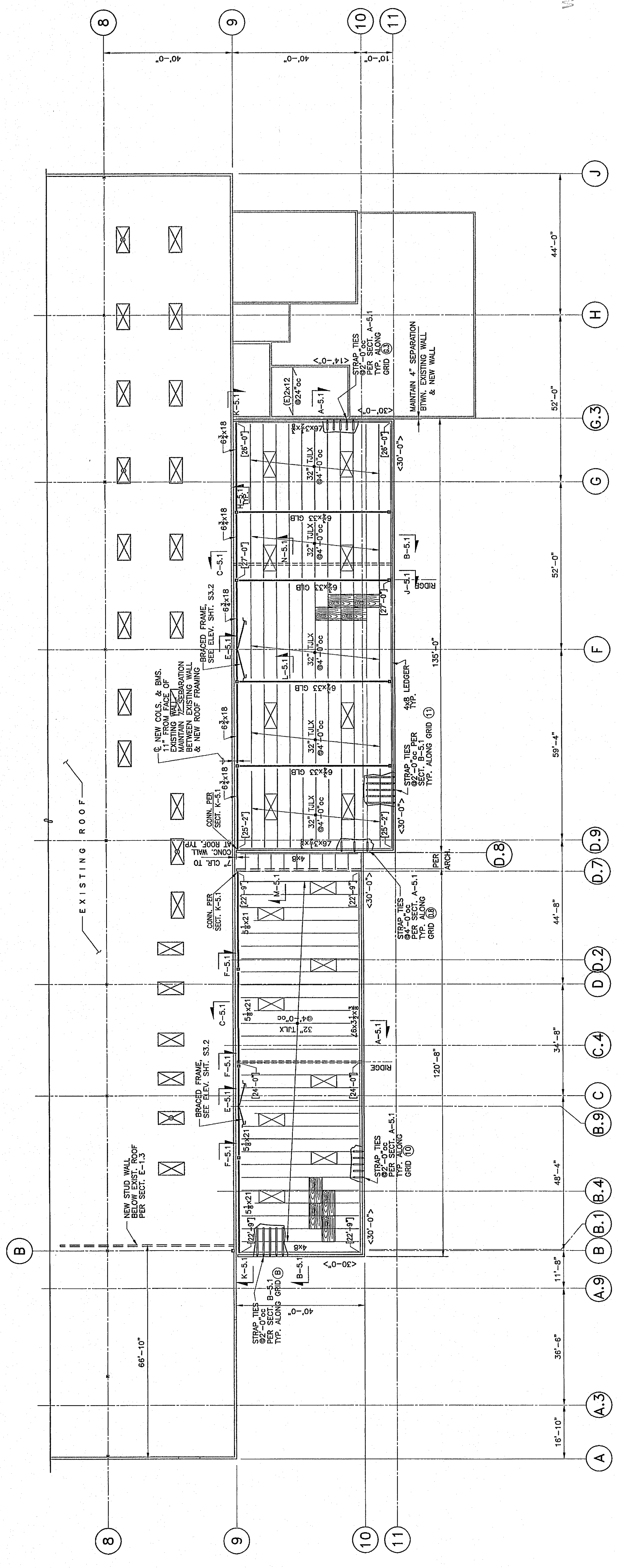
4" NOMINAL (2 ROWS)

ZONE	NAIL SPACING @ CONTINUOUS EDGES	NAIL SPACING @ OTHER EDGES	NAIL SPACING @ INTERMEDIATE SUPPORT	BLKG.
1	6"/c	6"/c	12"/c	NONE
2	6"/c	6"/c	12"/c	2x4 DF FLAT
3	4"/c	6"/c	12"/c	2x4 DF FLAT
4	2 1/2"/c	2 ROWS @ 3" ON SET	12"/c	2x4 DF FLAT

NOTE:
 1. ALL NAILS SHALL BE 10d COMMON (0.148"x3.25" MIN. LENGTH)
 2. AT ALL BOUNDARIES PROVIDE 2 ROWS 10d @ 4" OC EA. ROW STAGGERED.
 3. USE SIMPSON 22 CLIPS TO SUPPORT 2x, BLKG., 24 CLIPS TO SUPPORT 4x BLKG.



PLYWOOD NAILING DIAGRAM



ROOF FRAMING PLAN

- NOTES:
1. [Symbol] INDICATES TOP OF FRAMING ELEVATION, BOTTOM OF PLYWOOD.
 2. [Symbol] INDICATES TOP OF PARAPET ELEVATION, ROOF FRAMING INFORMATION.
 3. [Symbol] REFERENCE SHEET FOR TRUSS OR STEEL FRAMING ELEVATIONS.
 4. [Symbol] REFERENCE SHEET FOR TRUSS OR STEEL FRAMING ELEVATIONS.
 5. CONTRACTOR SHALL COORDINATE LOCATIONS OF W/U WEIGHTS WITH TRUSS SUPPLIER.

WEISER IRON
 APR 03 2007
 RECEIVED