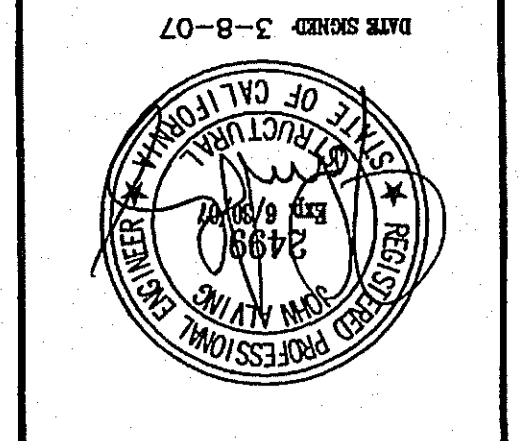


| | | |
|-----|----------------------|----------|
| NO. | DRAWING REVISIONS | DATE |
| 1 | BLDG. DEPT. COMMENTS | 2-16-07 |
| 2 | BLDG. DEPT. COMMENTS | 1-16-07 |
| 3 | DRAWING REVISIONS | 11-21-06 |
| 4 | BLDG. DEPT. COMMENTS | |
| 5 | BLDG. DEPT. COMMENTS | |
| 6 | BLDG. DEPT. COMMENTS | |
| 7 | BLDG. DEPT. COMMENTS | |
| 8 | BLDG. DEPT. COMMENTS | |
| 9 | BLDG. DEPT. COMMENTS | |
| 10 | BLDG. DEPT. COMMENTS | |
| 11 | BLDG. DEPT. COMMENTS | |
| 12 | BLDG. DEPT. COMMENTS | |
| 13 | BLDG. DEPT. COMMENTS | |
| 14 | BLDG. DEPT. COMMENTS | |
| 15 | BLDG. DEPT. COMMENTS | |
| 16 | BLDG. DEPT. COMMENTS | |
| 17 | BLDG. DEPT. COMMENTS | |
| 18 | BLDG. DEPT. COMMENTS | |
| 19 | BLDG. DEPT. COMMENTS | |
| 20 | BLDG. DEPT. COMMENTS | |

| | | |
|-----|----------------------|------|
| NO. | DRAWING REVISIONS | DATE |
| 1 | BLDG. DEPT. COMMENTS | |
| 2 | BLDG. DEPT. COMMENTS | |
| 3 | BLDG. DEPT. COMMENTS | |
| 4 | BLDG. DEPT. COMMENTS | |
| 5 | BLDG. DEPT. COMMENTS | |
| 6 | BLDG. DEPT. COMMENTS | |
| 7 | BLDG. DEPT. COMMENTS | |
| 8 | BLDG. DEPT. COMMENTS | |
| 9 | BLDG. DEPT. COMMENTS | |
| 10 | BLDG. DEPT. COMMENTS | |
| 11 | BLDG. DEPT. COMMENTS | |
| 12 | BLDG. DEPT. COMMENTS | |
| 13 | BLDG. DEPT. COMMENTS | |
| 14 | BLDG. DEPT. COMMENTS | |
| 15 | BLDG. DEPT. COMMENTS | |
| 16 | BLDG. DEPT. COMMENTS | |
| 17 | BLDG. DEPT. COMMENTS | |
| 18 | BLDG. DEPT. COMMENTS | |
| 19 | BLDG. DEPT. COMMENTS | |
| 20 | BLDG. DEPT. COMMENTS | |



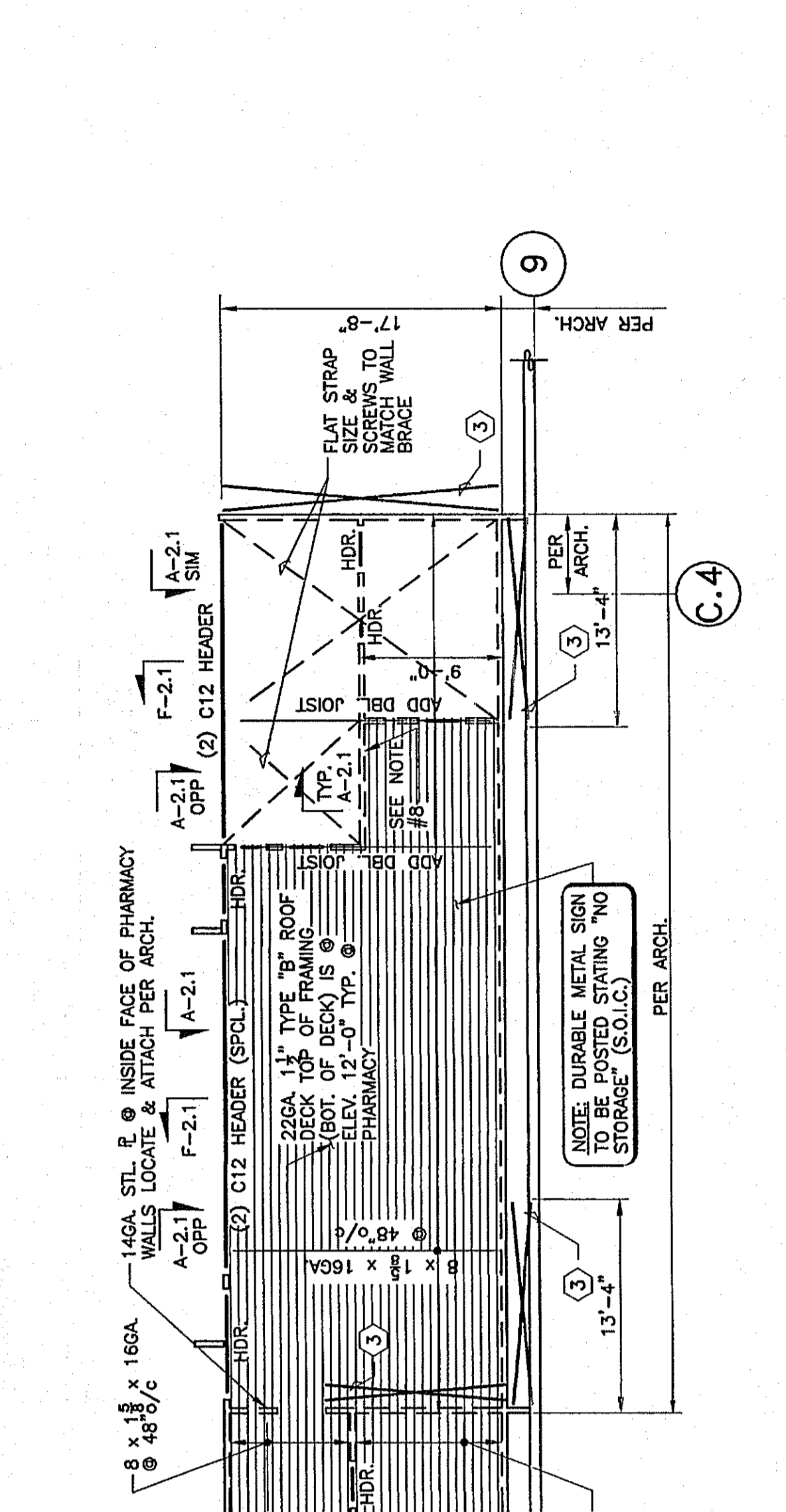
ENW ENGINEERS NORTHWEST, INC., P.S.
 STRUCTURAL ENGINEERS
 6889 ROODMAN AVE. SEATTLE, WASHINGTON 98118
 (206) 956-7664 FAX (206) 952-8888
 WWW.ENWSEATTLE.COM

WHOLESALE
COSTCO
 WAREHOUSE #455
 12700 DALLY STREET
 MORENO VALLEY, CA 92553

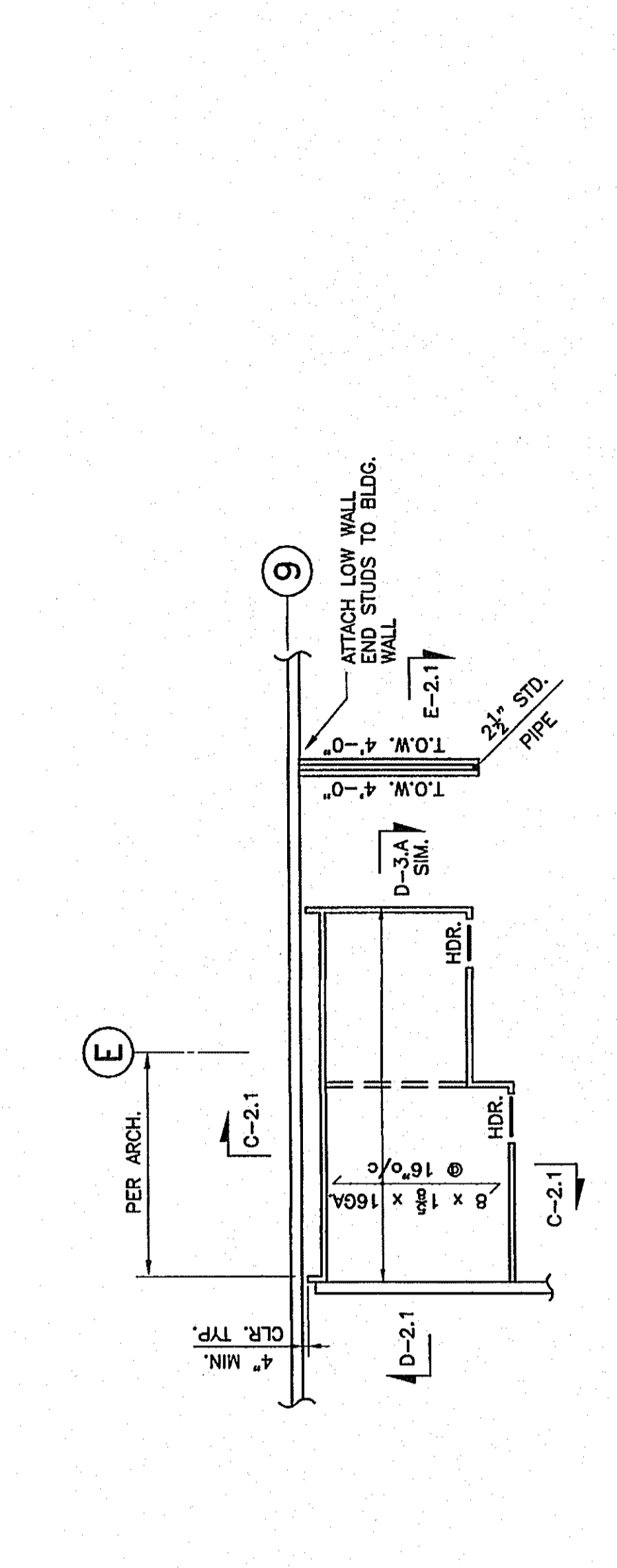
OFFICE, PHARMACY & REC. RMS, FRAMING PLANS & SECTIONS

CONTENTS:
 SHEET NO. S2.1
 DATE: 10-30-2006
 DRAWN: BBS
 ENGINEER: P. VAN HEVINGEN
 JOB NO.: 94100009

| | | |
|-----|----------------------|------|
| NO. | DRAWING REVISIONS | DATE |
| 1 | BLDG. DEPT. COMMENTS | |
| 2 | BLDG. DEPT. COMMENTS | |
| 3 | BLDG. DEPT. COMMENTS | |
| 4 | BLDG. DEPT. COMMENTS | |
| 5 | BLDG. DEPT. COMMENTS | |
| 6 | BLDG. DEPT. COMMENTS | |
| 7 | BLDG. DEPT. COMMENTS | |
| 8 | BLDG. DEPT. COMMENTS | |
| 9 | BLDG. DEPT. COMMENTS | |
| 10 | BLDG. DEPT. COMMENTS | |
| 11 | BLDG. DEPT. COMMENTS | |
| 12 | BLDG. DEPT. COMMENTS | |
| 13 | BLDG. DEPT. COMMENTS | |
| 14 | BLDG. DEPT. COMMENTS | |
| 15 | BLDG. DEPT. COMMENTS | |
| 16 | BLDG. DEPT. COMMENTS | |
| 17 | BLDG. DEPT. COMMENTS | |
| 18 | BLDG. DEPT. COMMENTS | |
| 19 | BLDG. DEPT. COMMENTS | |
| 20 | BLDG. DEPT. COMMENTS | |



PHARMACY CEILING FRAMING PLAN
 3/4" = 1'-0"
 NOTES:
 1) TOP OF FRAMING IS AT 12'-0" (U.N.O.)
 2) SEE NOTES AT OFFICE FRAMING.



RECEIVING ROOM PLAN
 3/4" = 1'-0"
 NOTES:
 1) TOP OF WALLS IS 10'-6" (U.N.O.) (FOR RECEIVING ONLY)
 2) TOP OF CEILING FRAMING IS 9'-2 1/2" (U.N.O.)
 3) CEILING JOIST LIVE LOAD = 10 p.s.f. (NO STORAGE)

WEISER IRON
 APR 8 2007
 RECEIVED

HOLDOWN SCHEDULE

| HOLDOWN | ANCHORS | SCREWS |
|-----------------|---|--------|
| SIMPSON S/LT20 | 1/2" ALL-THREAD EMBEDDED INTO HILTI HT-150 ADHESIVE | 8 #10 |
| SIMPSON S/ATT14 | 3/8" ALL-THREAD EMBEDDED INTO HILTI HT-150 ADHESIVE | 14 #10 |

WALL BRACING SCHEDULE

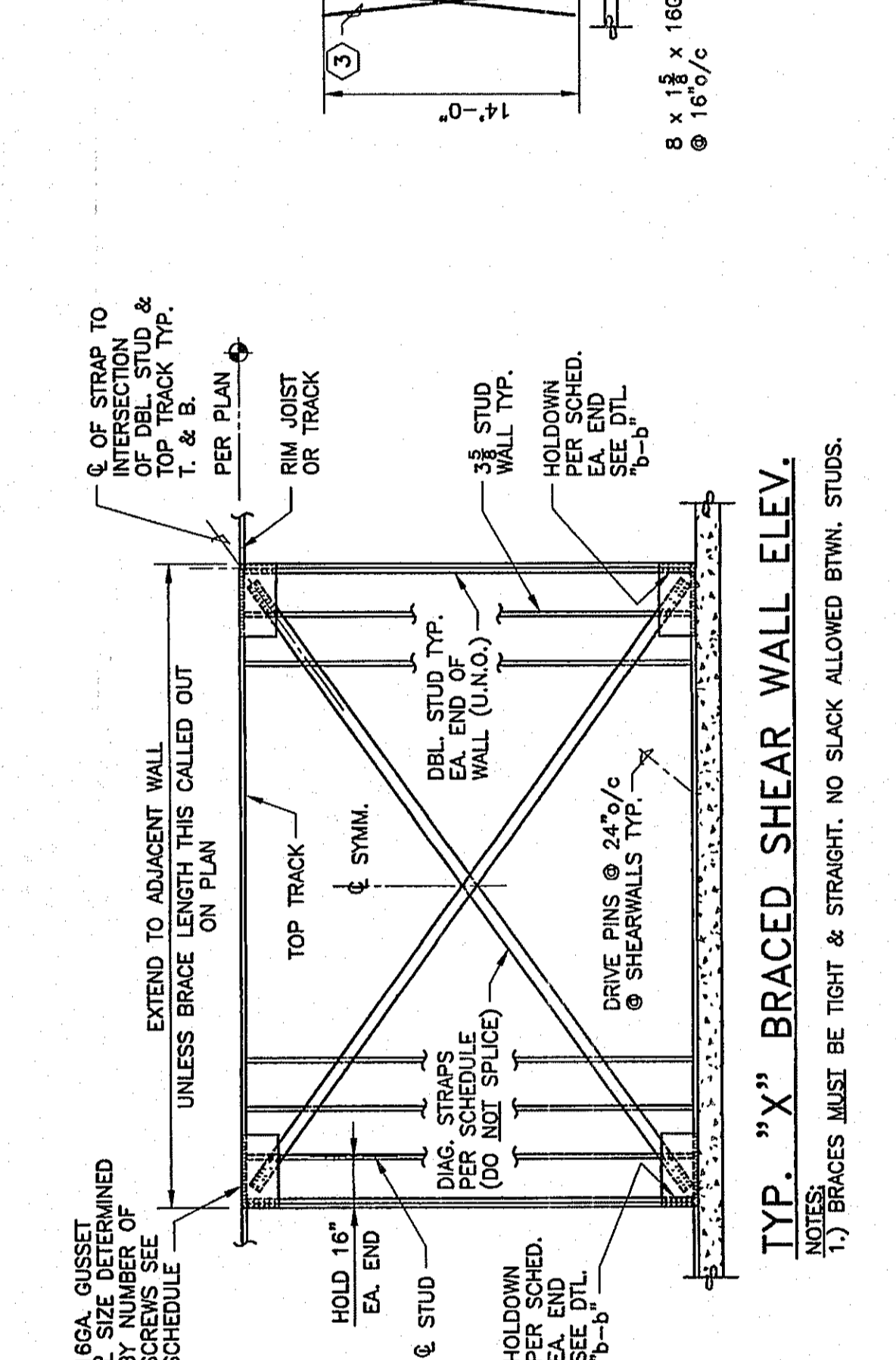
| MARK | STRAP (60 L.S.L.) | HOLDOWN | NUMBER OF SCREWS | GUSSET TO T. & B. TRACK | GUSSET TO STUDS |
|------|-------------------|---------|------------------|-------------------------|-----------------|
| 1 | 1 1/2" x 16GA. | 1 | 2 | 1 | 1 |
| 2 | 2" x 16GA. | 2 | 4 | 2 | 2 |
| 3 | 3" x 16GA. | 3 | 6 | 3 | 3 |
| 4 | 4" x 16GA. | 4 | 8 | 4 | 4 |
| 5 | 5" x 16GA. | 5 | 10 | 5 | 5 |

NOTES:
 1) SCREWS MUST BE PLACED AT LEAST 3/4" APART AND MUST BE 3/4" FROM EDGE OR END OF ALL METAL PIECES.

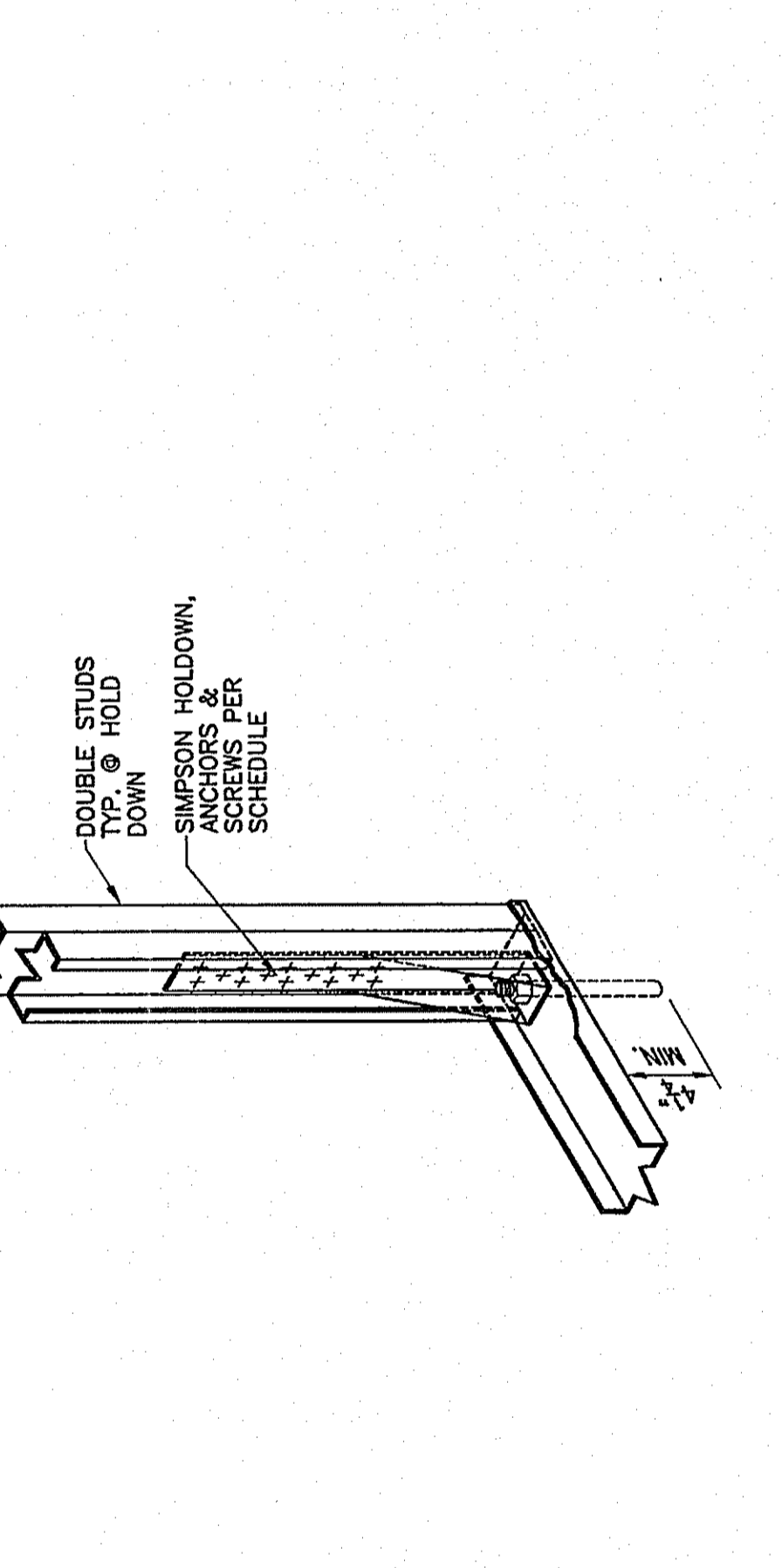
PARTS SCHEDULE (OFFICE, PHARMACY & OPTICAL)

| ITEM | CALLOUT | MINIMUM PROPERTIES | APPROVED SUPPLIERS & THEIR CALLOUT PARTS, ITEMS |
|--|---|--|---|
| | | F _y (K.S.I.) (0.01") S _{0.2} (0.01") A _{0.15} (0.01") | |
| T-BAR CEILING SUPPORT JOISTS ** | 8" x 1 1/2" x 16GA. | 50 | 50, 5.54, 1.30, 0.65, .51 |
| C12 HEADERS ** (20'-8" MAX. SPAN) | (2) 12" x 1 1/2" x 16GA. | 50 | 39.0, 5.90, 2.24 |
| C8 HEADERS ** (12'-0" MAX. SPAN) | (2) 8" x 1 1/2" x 16GA. | 50 | 43.89, 6.53, 2.38 |
| RM JOISTS & BLKG. ** | 8" x 1 1/2" x 16GA. | 50 | 11.08, 2.80, 1.30 |
| C12 (SPL.) HEADER CAPS | 4" x 1 1/2" x 16GA. | 50 | 0.86, 0.35, 0.36, 0.38 |
| G.W.B. CEILING JOIST** | 8" x 1 1/2" x 16GA. | 50 | 5.54, 1.30, 0.65, .51 |
| G.W.B. CEILING TRACK** | 8" x 1 1/2" x 16GA. | 50 | 4.44, 0.96, 0.56, 0.30 |
| WALL TOP TRACK ** (U.N.O.) | 3 1/2" x 1 1/2" x 16GA. | 50 | 0.65, 0.31, 0.32, 0.37 |
| WALL BOT. TRACK ** (U.N.O.) | 3 1/2" x 1 1/2" x 16GA. | 50 | 0.65, 0.31, 0.32, 0.37 |
| WALL STUDS | 3 1/2" x 1 1/2" x 20GA. | 33 | 0.53, 0.26, 0.25, 0.59 |
| WALL TOP TRACK ** | 5" x 1 1/2" x 16GA. | 50 | 2.17, 0.65, 0.45, 0.33 |
| WALL BOT. TRACK ** | 5" x 1 1/2" x 16GA. | 50 | 2.17, 0.65, 0.45, 0.33 |
| WALL STUDS (SECT. A-2.4) | 5" x 1 1/2" x 20GA. | 33 | 1.74, 0.51, 0.37, 0.55 |
| WALL STUDS (SECT. A-2.4) | 5" x 1 1/2" x 16GA. | 33 | 2.24, 0.72, 0.37, 0.55 |
| 3" x 16GA. BRACING STRAPS (IN CEILING) | 3" WIDE x 20GA. FLAT STRAP ALT. 1 1/2" x 16GA. C.R.C. | 50 | --- |
| 1 1/2" x 20GA. BRACING STRAPS (IN WALLS) | 1 1/2" WIDE x 20GA. FLAT STRAP ALT. 1 1/2" x 16GA. C.R.C. | 33 | --- |
| 16GA. STRAPS | 16GA. FLAT STRAP | 50 | --- |
| 2" x 2" x 20GA. | 2" x 2" x 20GA. | 33 | --- |
| ROOF DECK | 1 1/2" DEEP x 22GA. TYPE "B" PHH #2 | 33 | --- |
| SCREWS (MTL. TO MTL.) | #8-18 x 1" HHW #2 OR #10-24 x 1 1/2" PHW #3 | --- | --- |
| WALL & BOTTOM TRACK ANCHORS | #D537P10 (0.177" x 1 1/2" LOW VELOCITY DRIVE PINS) | --- | --- |

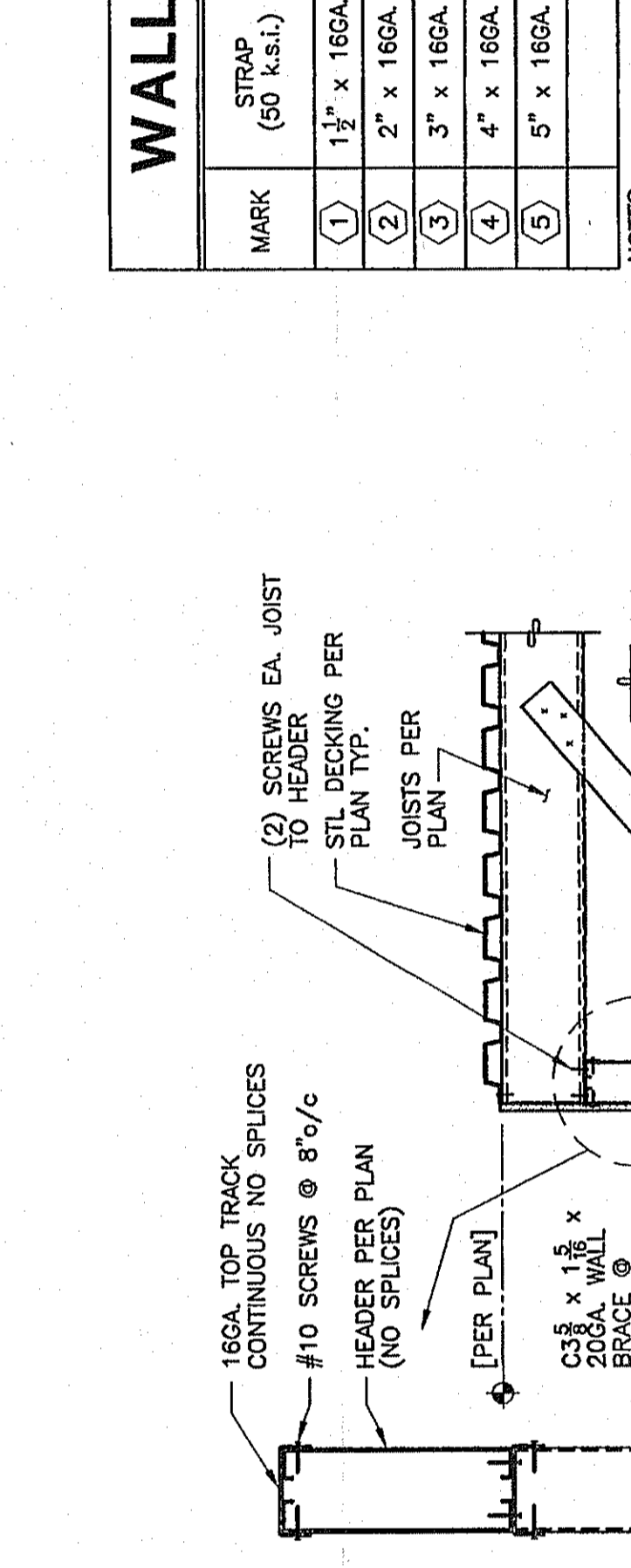
NOTES:
 1) SUBSTITUTION OF OTHER SUPPLIERS FOR THESE ITEMS NOT ALLOWED.
 2) VERIFY PART #, QTY, & DIMENSIONS TO BE USED.



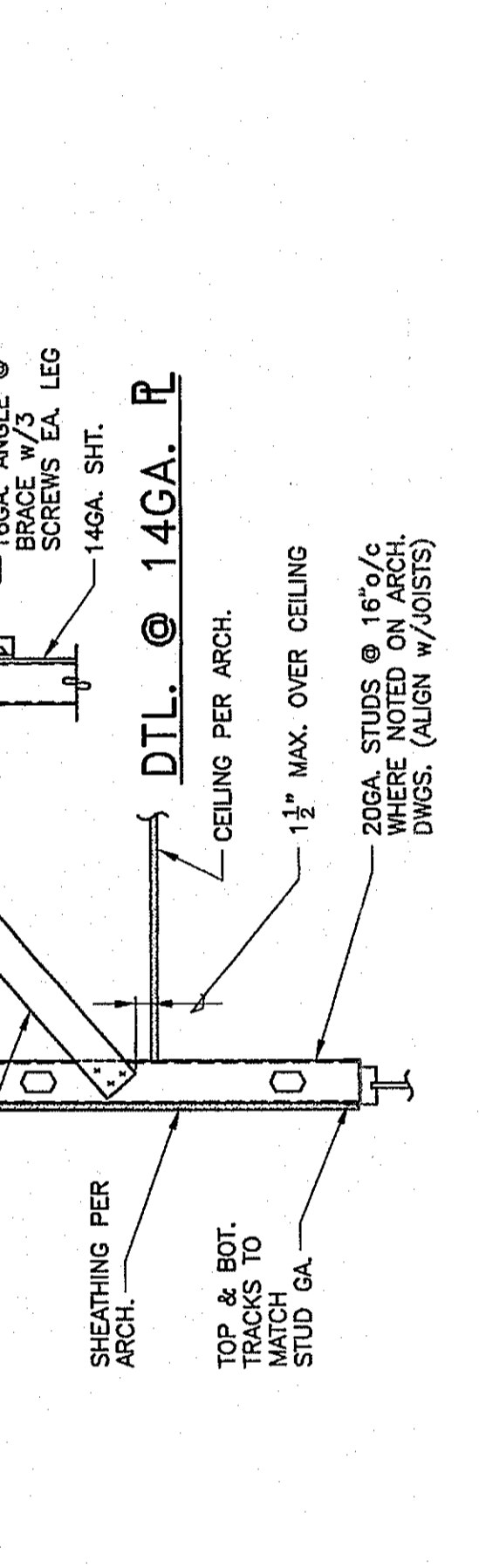
TYP. 'X' BRACED SHEAR WALL ELEV.
 NOTES:
 1) BRACES MUST BE TIGHT & STRAIGHT, NO SLACK ALLOWED BTWN. STUDS.



ELEVATION B-2-1
 N.T.S.



DETAIL 'b-b'
 SEE SCHEDULE FOR LOCATIONS 1 1/2" = 1'-0"

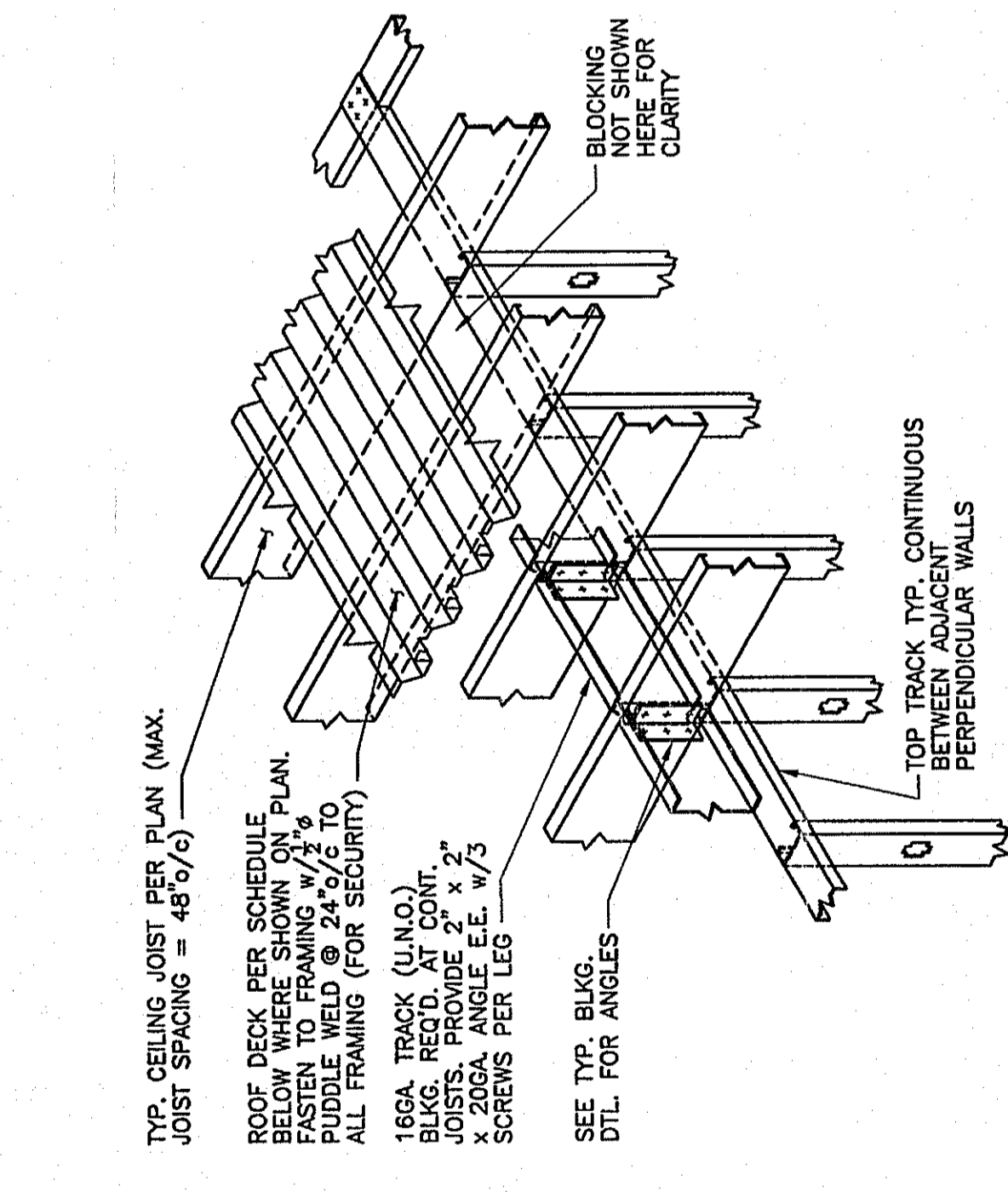


SECTION F-2-1
 3/4" = 1'-0"

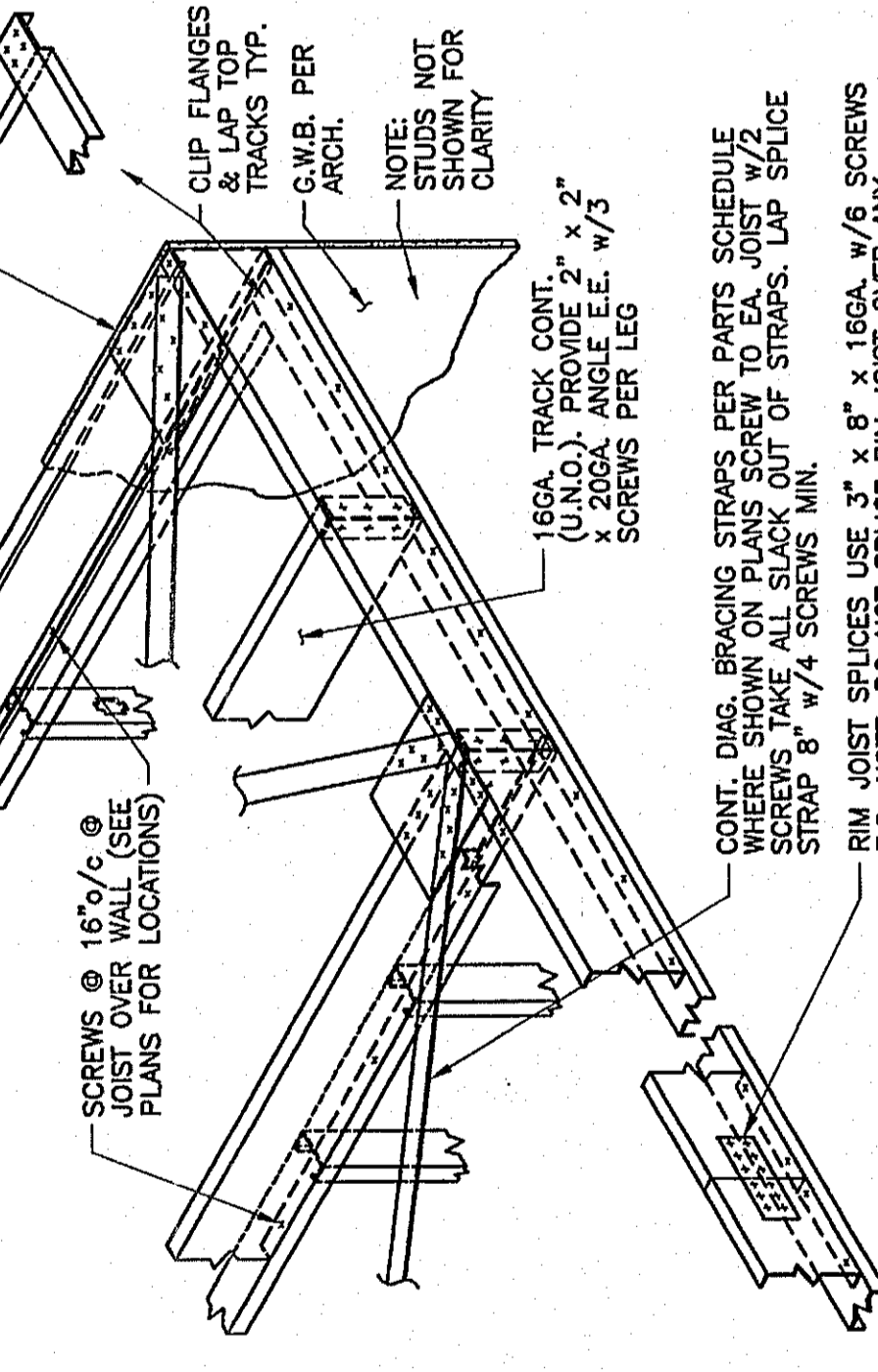
THICKNESS OF STEEL COMPONENTS

| GAUGE | DESIGN THICKNESS | MINIMUM THICKNESS |
|-------|------------------|-------------------|
| 22 | .0283 | .0269 |
| 20 | .0346 | .0289 |
| 18 | .0451 | .0428 |
| 16 | .0566 | .0538 |
| 14 | .0713 | .0677 |

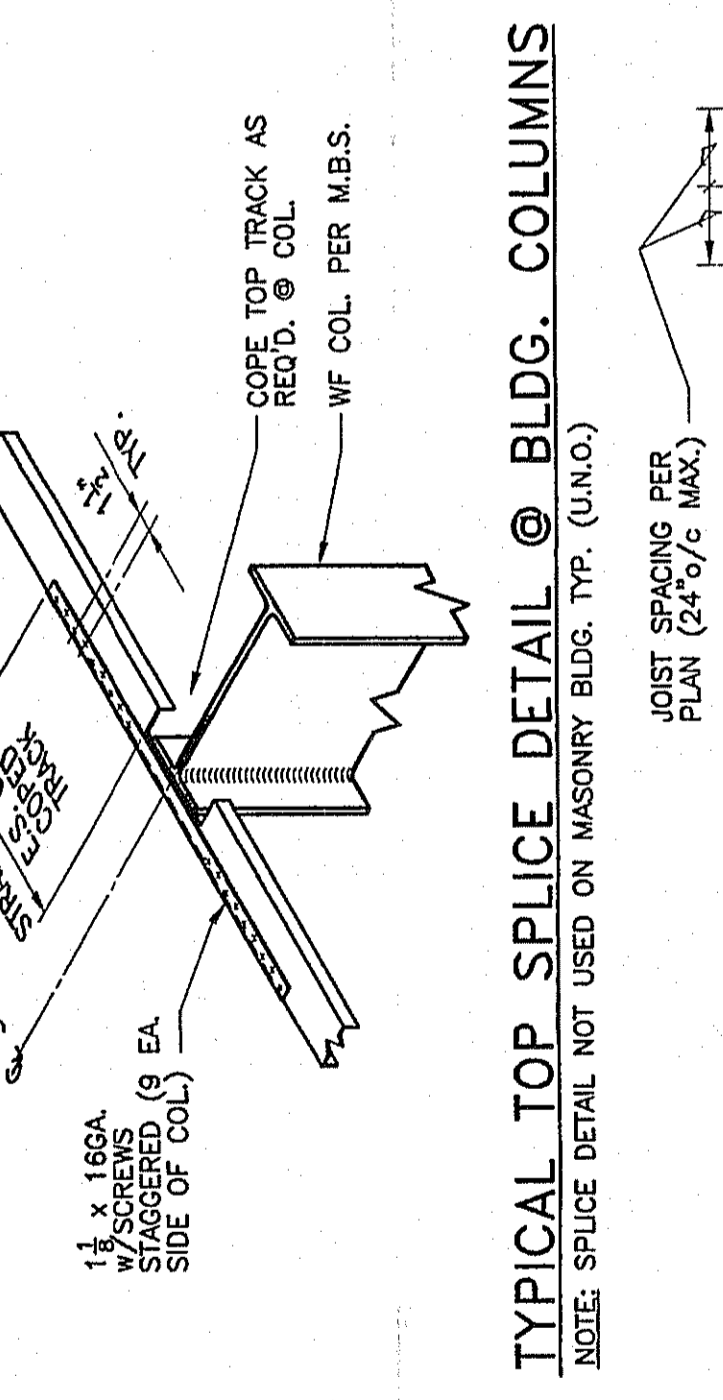
UNCOATED STEEL THICKNESS THICKNESS IS FOR CARBON SHEET STEEL. THE MINIMUM ACCEPTABLE THICKNESS DELIVERED TO THE JOB SITE BASED ON SECTION A-5.4 OF THE 1989 A.I.S.I. CODE.



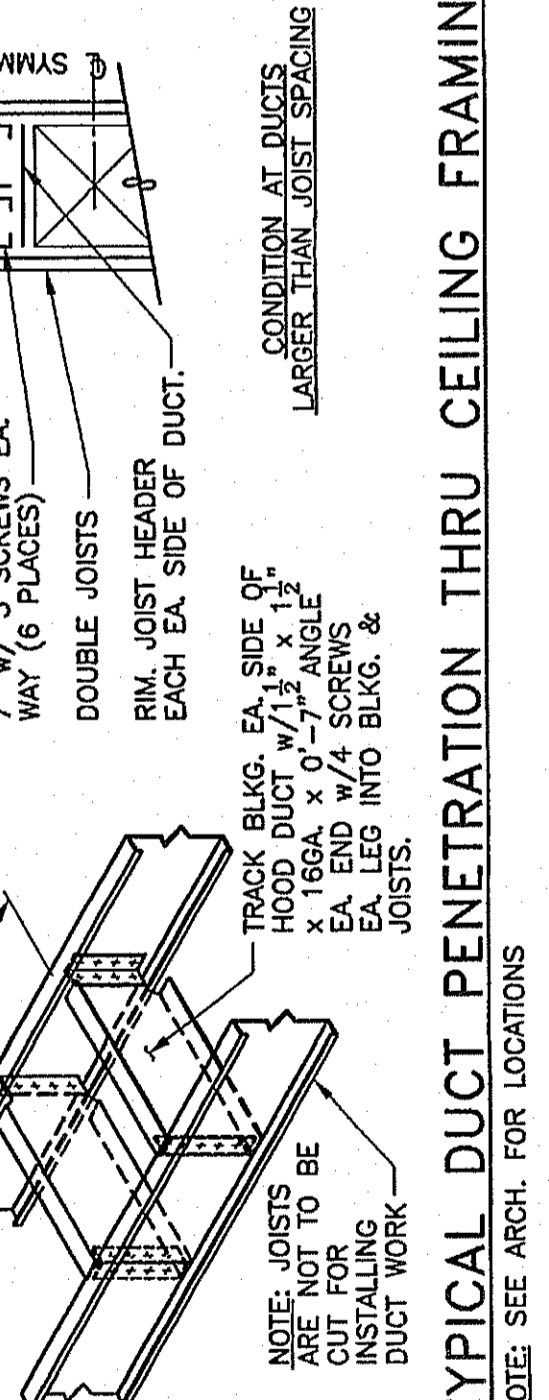
TYPICAL JOIST OVER INTERIOR WALL
 10" x 10" x 16GA. GUSSET MEMBER (M.T.S.) THIS GUSSET TYP. WHERE STRAPS END



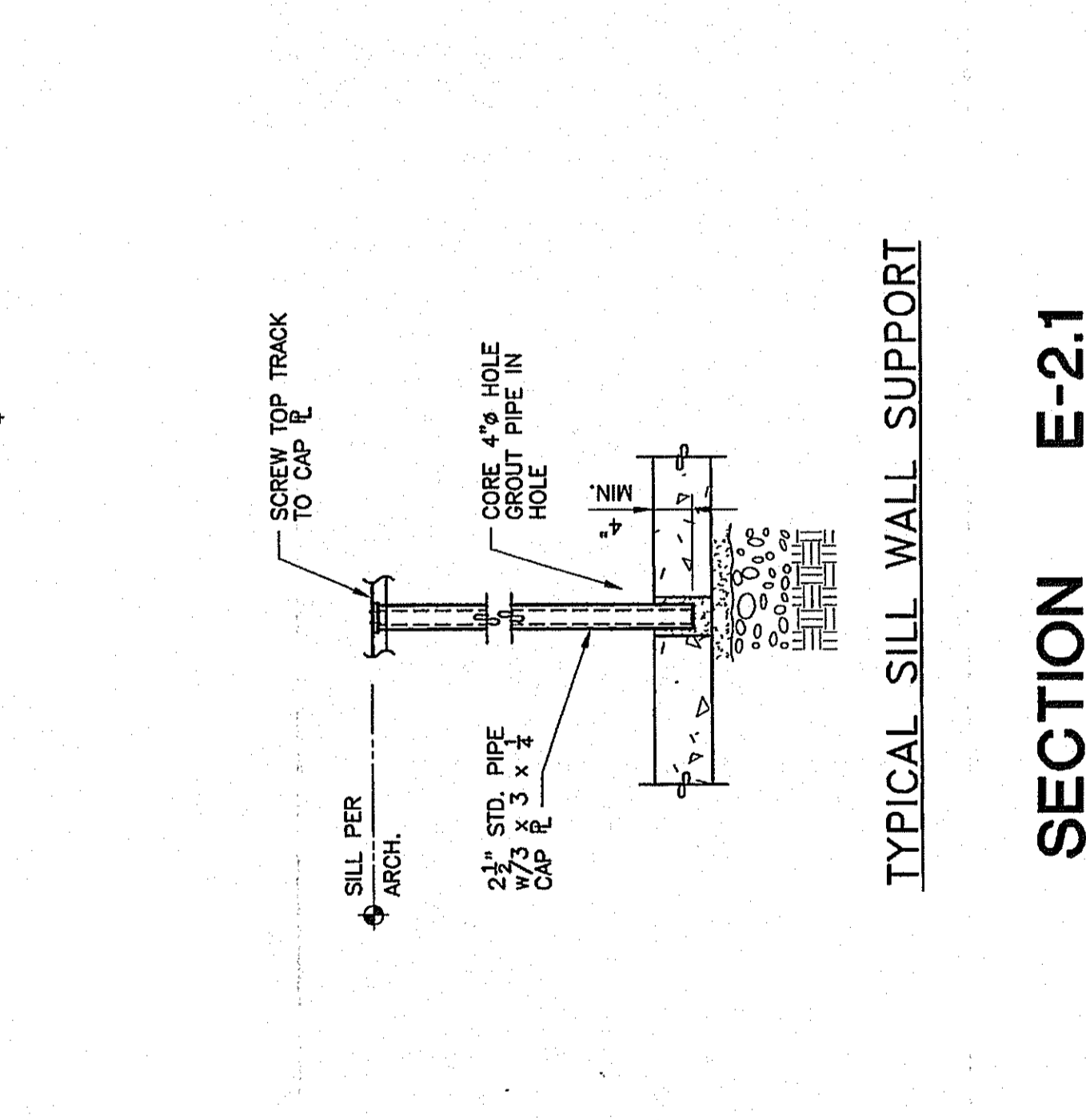
TYPICAL JOIST TO RIM JOIST W/DIAGONAL STRAPS
 CEILING DIAGONAL STRAP BRACING NOT REQUIRED WHERE BRACING OCCURS.



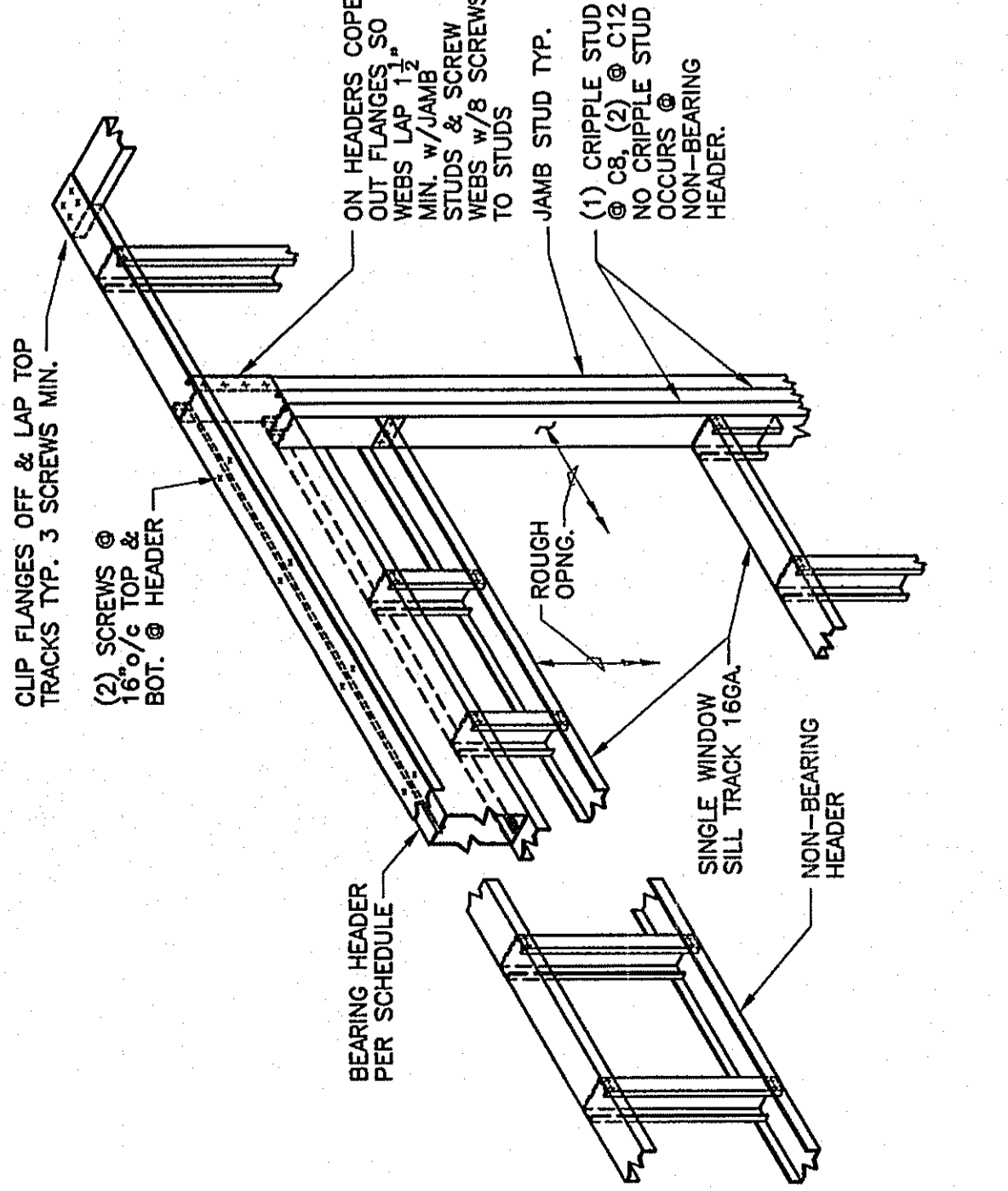
TYPICAL TOP SPLICE DETAIL @ BLDG. COLUMNS
 NOTE: SPLICE DETAIL NOT USED ON MASONRY BLDG. TYP. (U.N.O.)



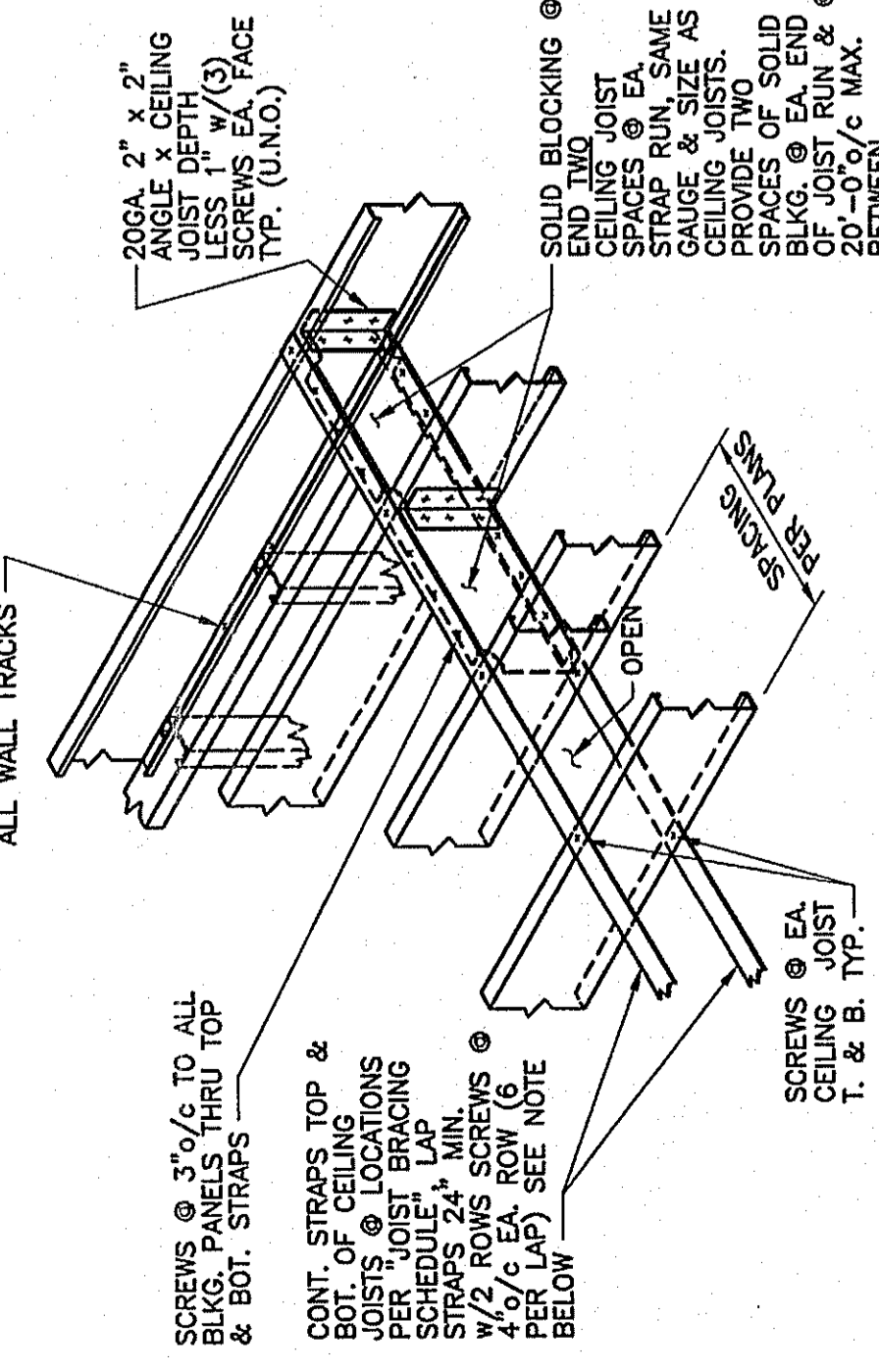
TYPICAL DUCT PENETRATION THRU CEILING FRAMING
 NOTE: SEE ARCH. FOR LOCATIONS



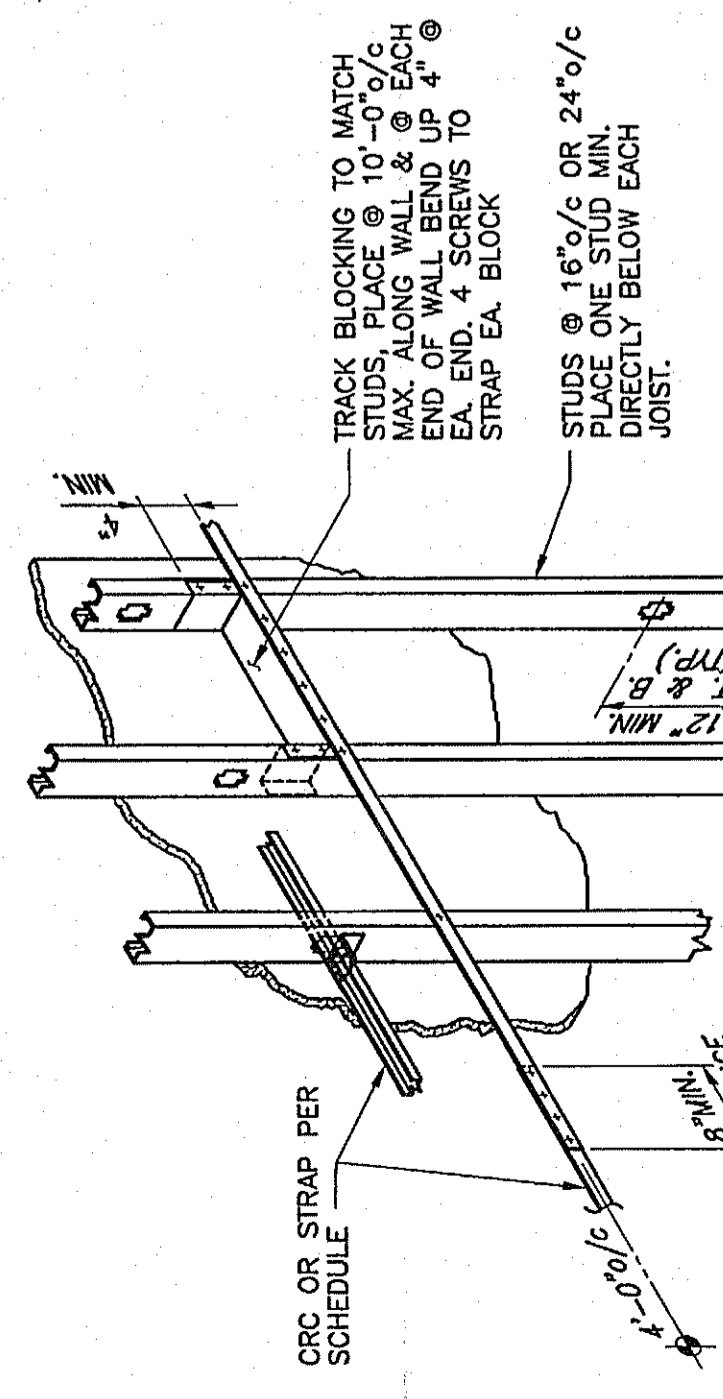
TYPICAL LIGHT GAGE FRAMING DETAILS A-2.1
 3/4" = 1'-0"



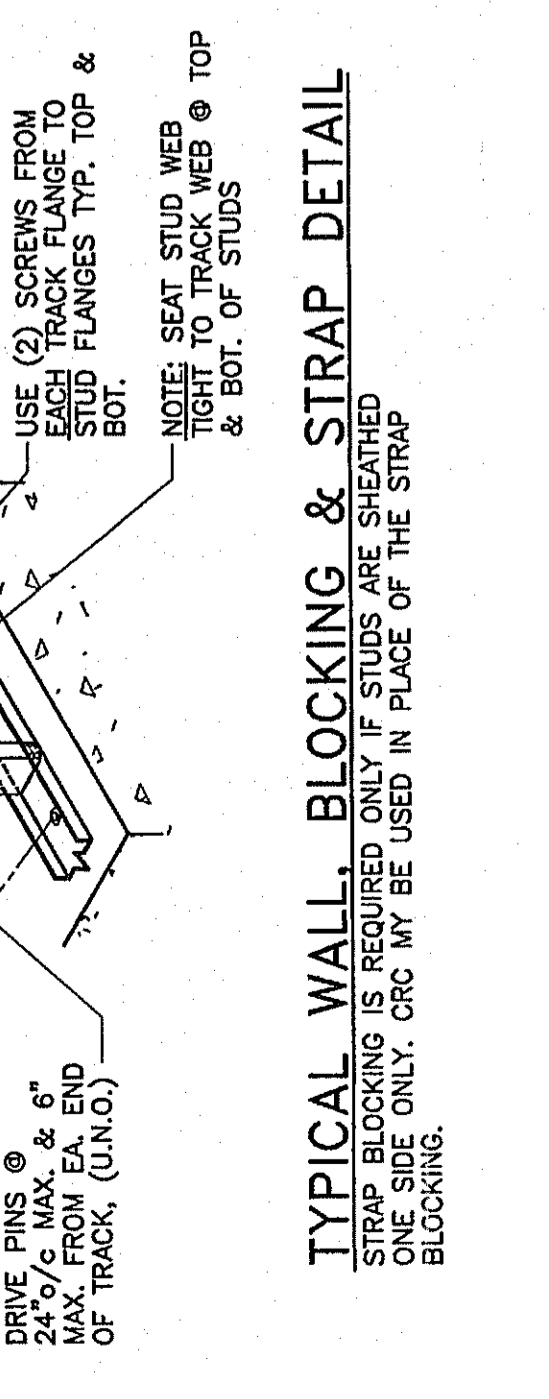
TYPICAL HEADER DETAIL
 HEADERS NOTED ON THE PLAN AS 'HUR' ARE BEARING HEADERS & ARE NOTED IN THE PARTS SCHEDULE BELOW. HEADERS RUNNING PARALLEL TO THE JOISTS ARE NON-BEARING (U.N.O.)



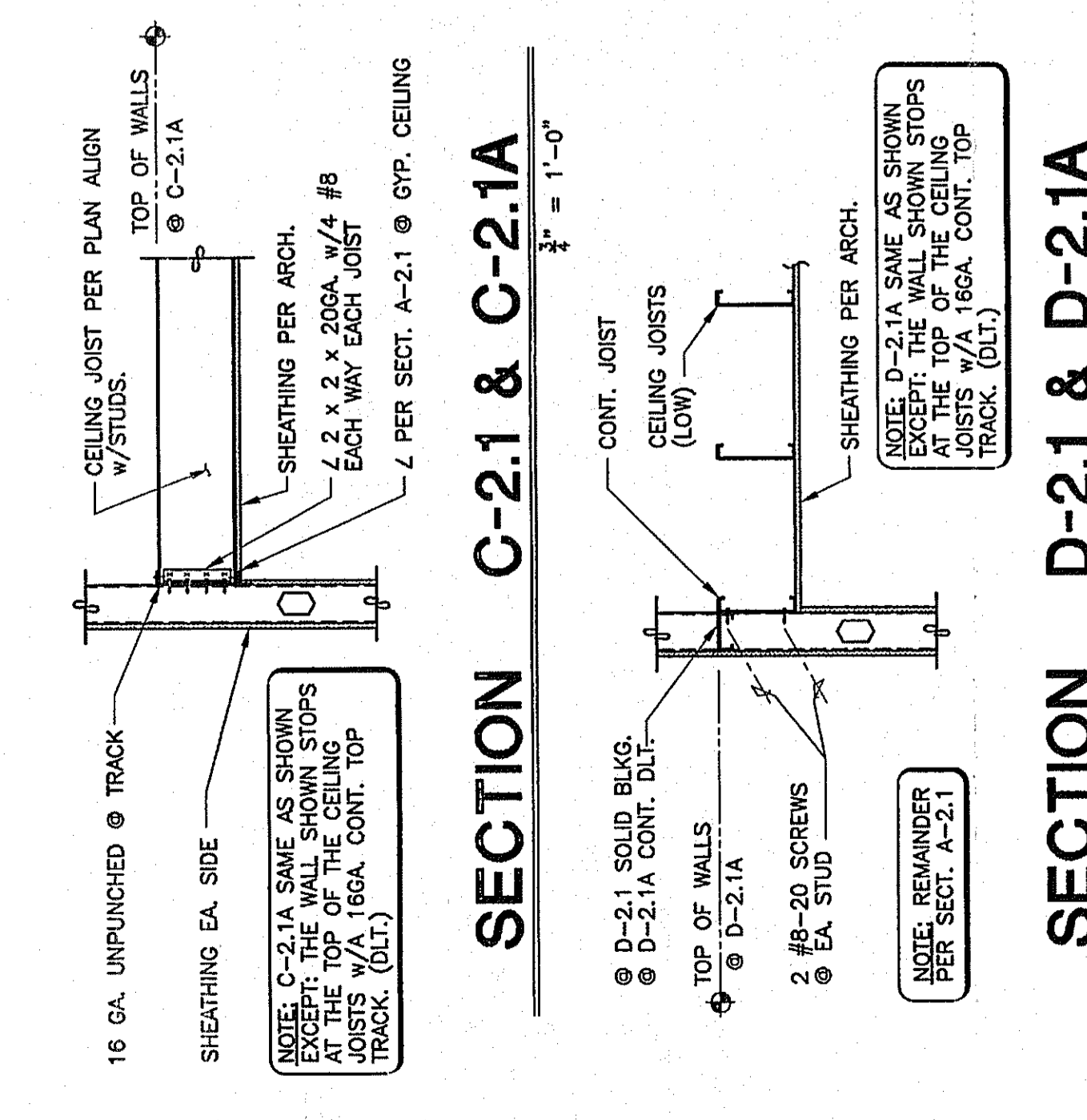
TYPICAL JOIST BLOCKING & STRAP DETAIL
 TRACK BLOCKING TO MATCH STUDS BLOCKING TO MATCH STUDS. TRACKS TO BE PLACED MAX. ALONG WALL & @ EACH END JOIST. WALL STRAPS TO STRAP EA. BLOCK.



TYPICAL WALL, BLOCKING & STRAP DETAIL
 STRAP BLOCKING IS REQUIRED ONLY IF STUDS ARE SHEARED. ONE SIDE ONLY, ORC MAY BE USED IN PLACE OF THE STRAP BLOCKING.



SECTION C-2.1 & C-2.1A
 3/4" = 1'-0"



SECTION D-2.1 & D-2.1A
 3/4" = 1'-0"