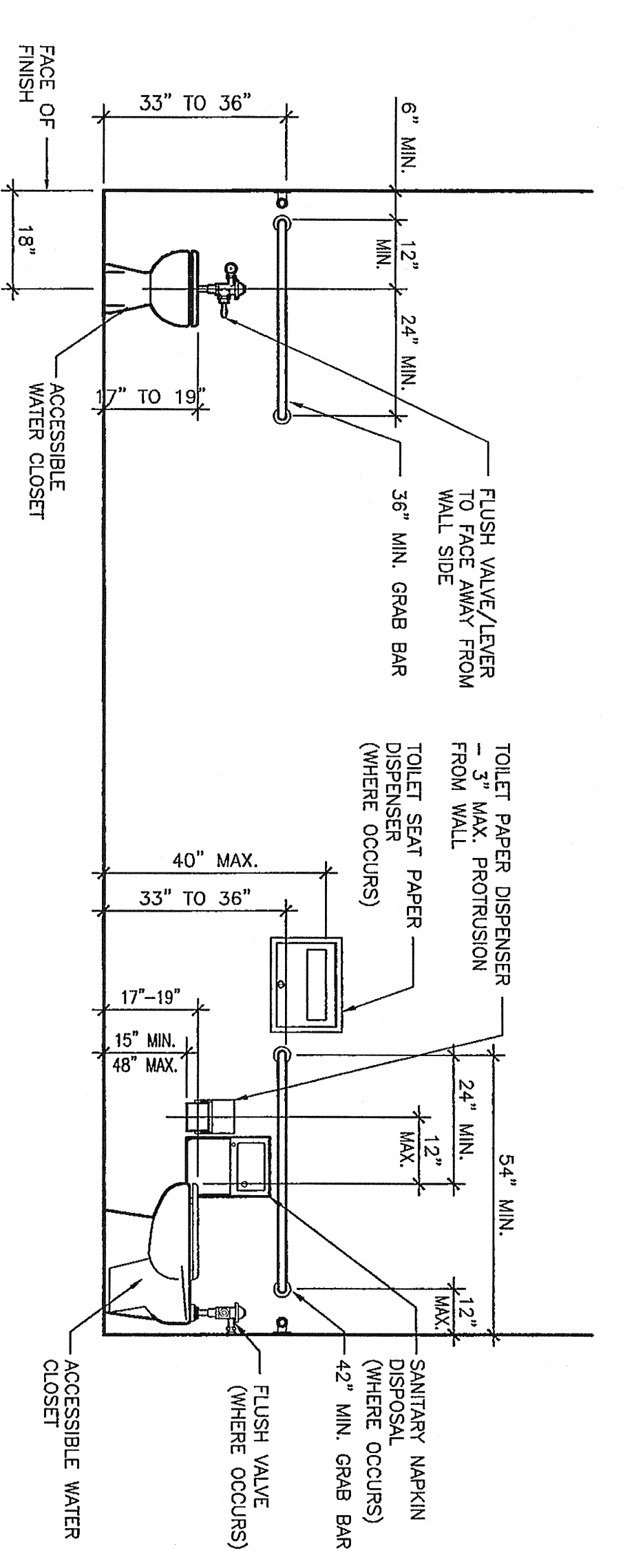


GENERAL NOTES:  
1. WALL-MOUNTED ACCESSORIES SHALL NOT PROTRUDE FROM WALL MORE THAN 3" PROVIDE SATISFY CLEARANCE



ACCESSIBLE WATER CLOSET

1/2"=1'-0"

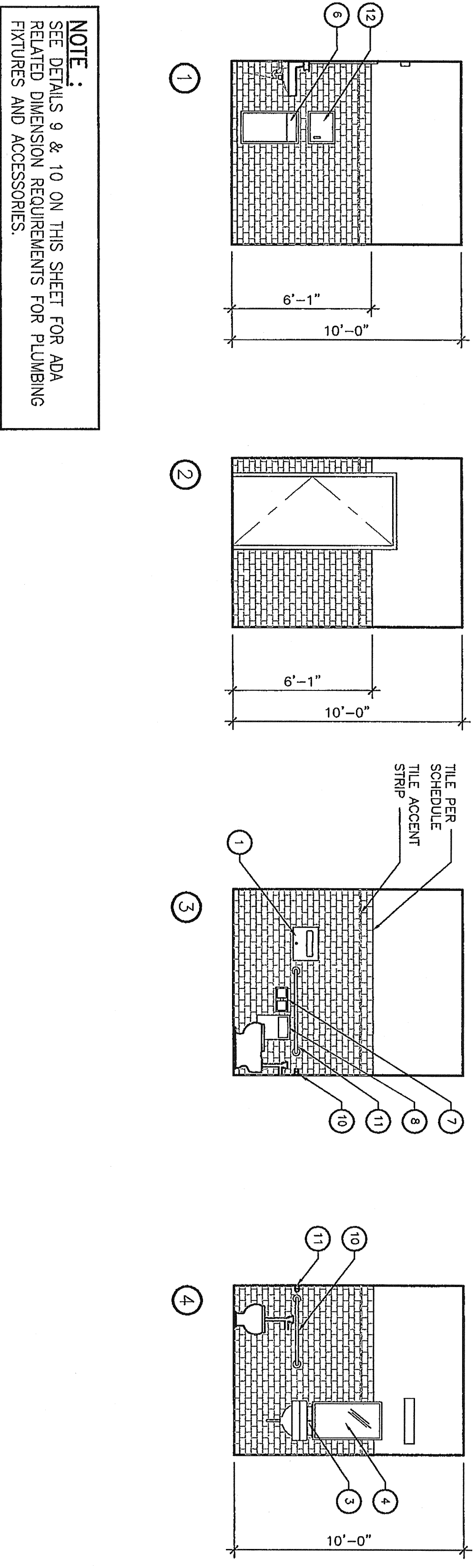
UNISEX RESTROOM RM. #304 INTERIOR ELEVATIONS

1/4"=1'-0"

UNISEX RESTROOM #304

1/4"=1'-0"

3



NOTE:  
SEE DETAILS 9 & 10 ON THIS SHEET FOR ADA RELATED DIMENSION REQUIREMENTS FOR PLUMBING FIXTURES AND ACCESSORIES.



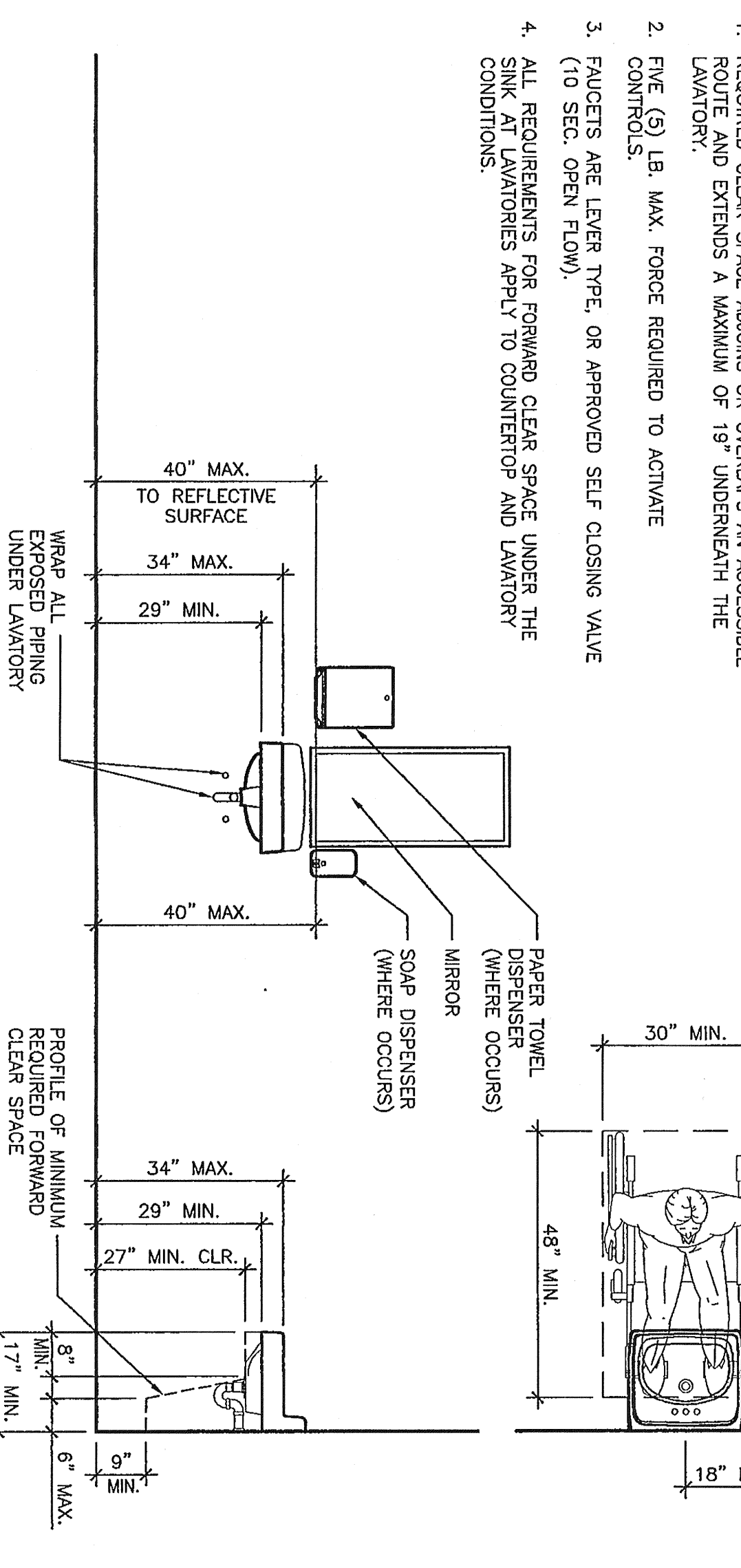
1/4"=1'-0"

UNISEX RESTROOM #304

1/4"=1'-0"

3

GENERAL NOTES:  
1. REQUIRED CLEAR SPACE AROUND OR OVERLAPS AN ACCESSIBLE LAVATORY;  
2. FIVE (5) LB. MAX. FORCE REQUIRED TO ACTIVATE CONTROLS.  
3. FAUCETS ARE LEVER TYPE OR APPROVED SELF CLOSING VALVE  
4. ALL REQUIREMENTS FOR FORMING CLEAR SPACE UNDER THE SINK AT LAVATORIES APPLY TO COUNTERTOP AND LAVATORY CONDITIONS.



ACCESSIBLE LAVATORY

1/2"=1'-0"

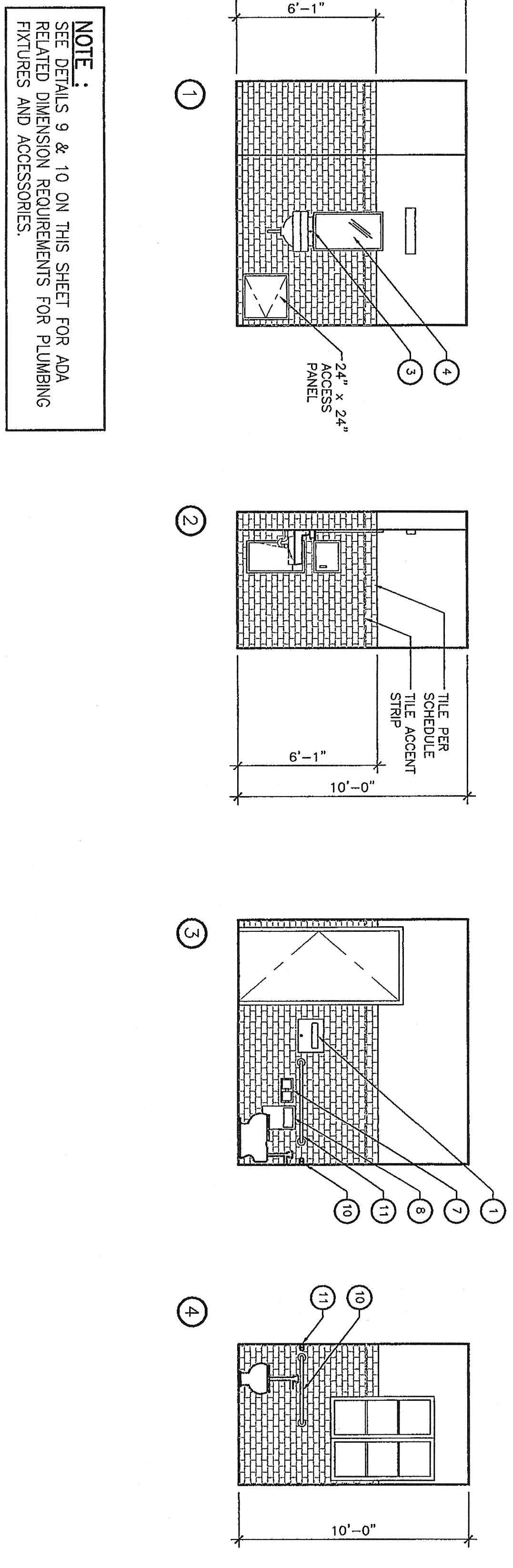
UNISEX RESTROOM RM. #104 INTERIOR ELEVATIONS

1/4"=1'-0"

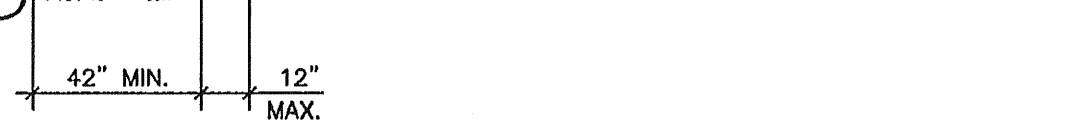
UNISEX RESTROOM #104

1/4"=1'-0"

6



NOTE:  
SEE DETAILS 9 & 10 ON THIS SHEET FOR ADA RELATED DIMENSION REQUIREMENTS FOR PLUMBING FIXTURES AND ACCESSORIES.



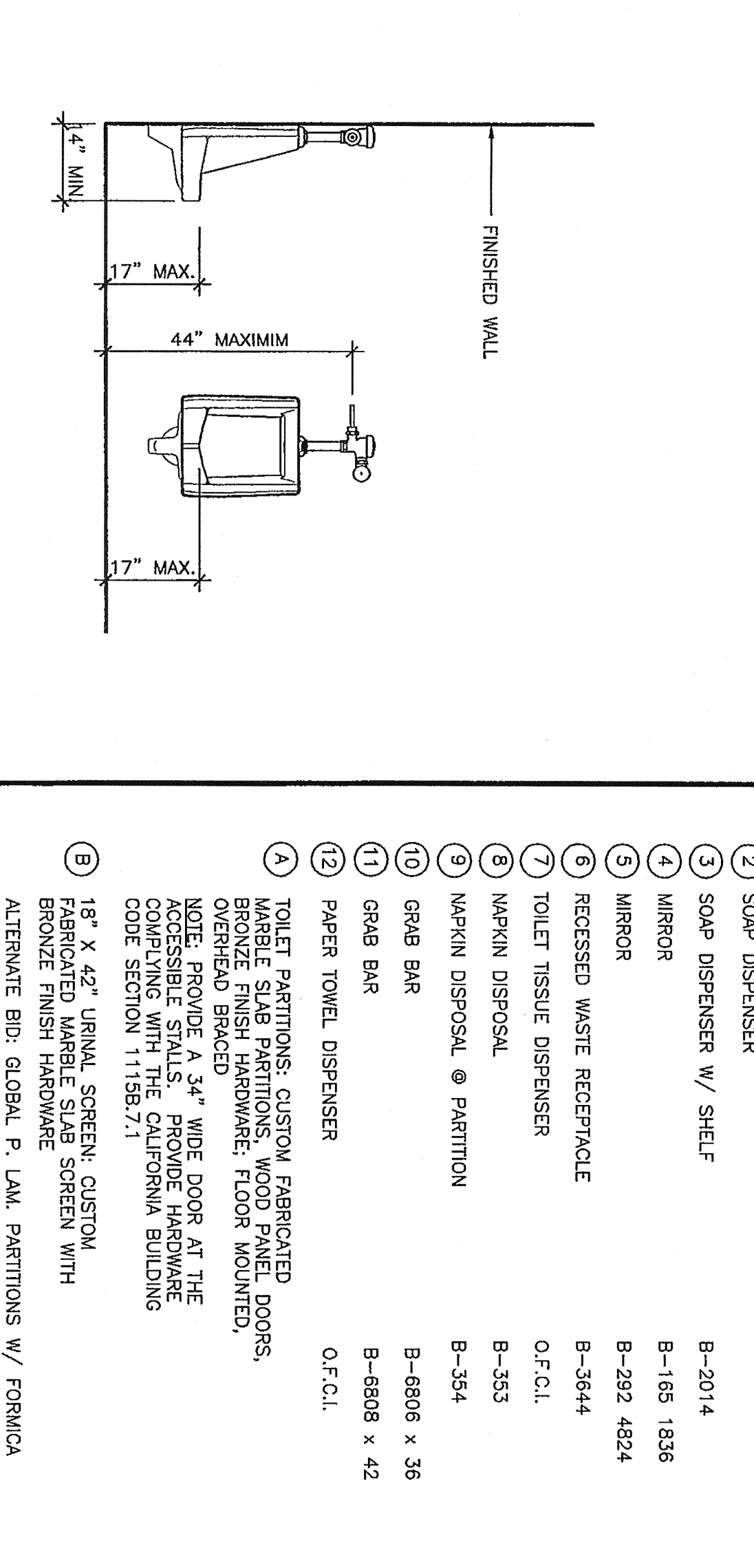
1/4"=1'-0"

UNISEX RESTROOM #104

1/4"=1'-0"

6

NOTE: ALL ACCESSORIES BY BORBROCK WASHROOM EQUIPMENT O.F.C.I.



ACCESSIBLE URINAL

1/2"=1'-0"

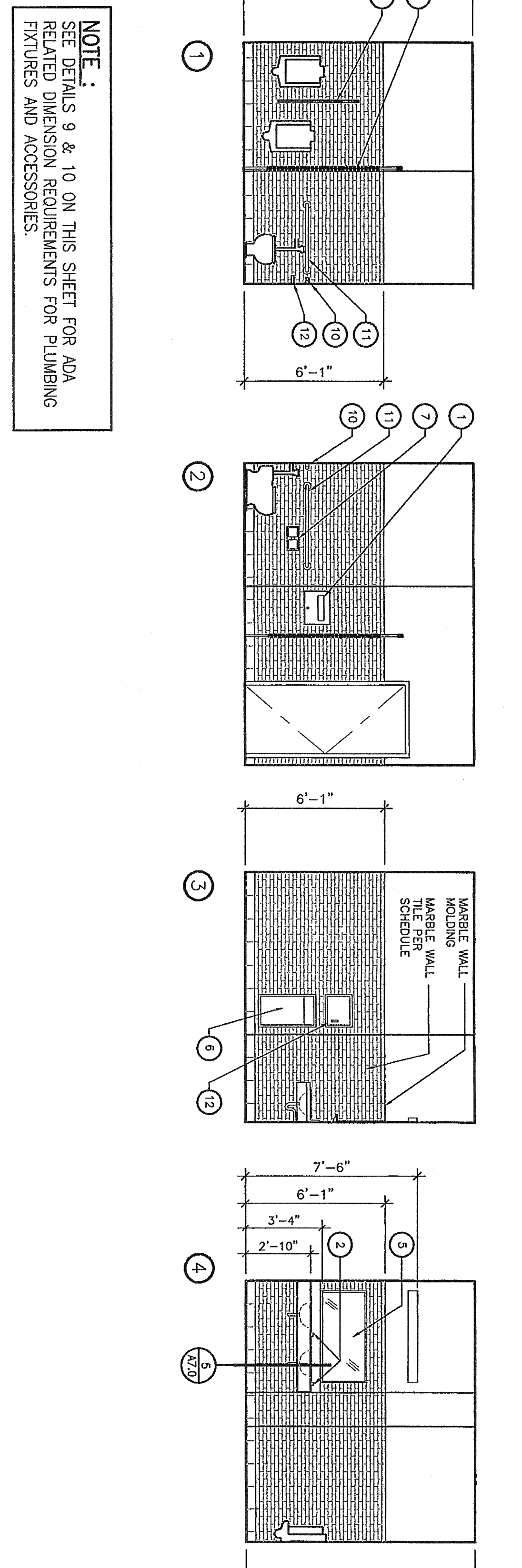
TOILET ACCESSORIES LEGEND

1/4"=1'-0"

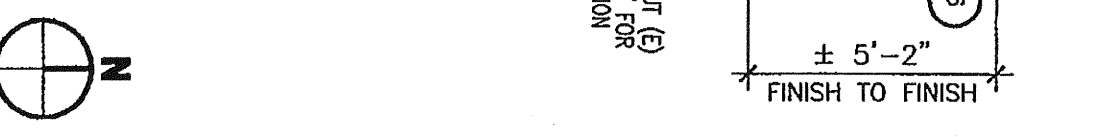
RESTROOMS #103 + #104

1/4"=1'-0"

2



NOTE:  
SEE DETAILS 9 & 10 ON THIS SHEET FOR ADA RELATED DIMENSION REQUIREMENTS FOR PLUMBING FIXTURES AND ACCESSORIES.

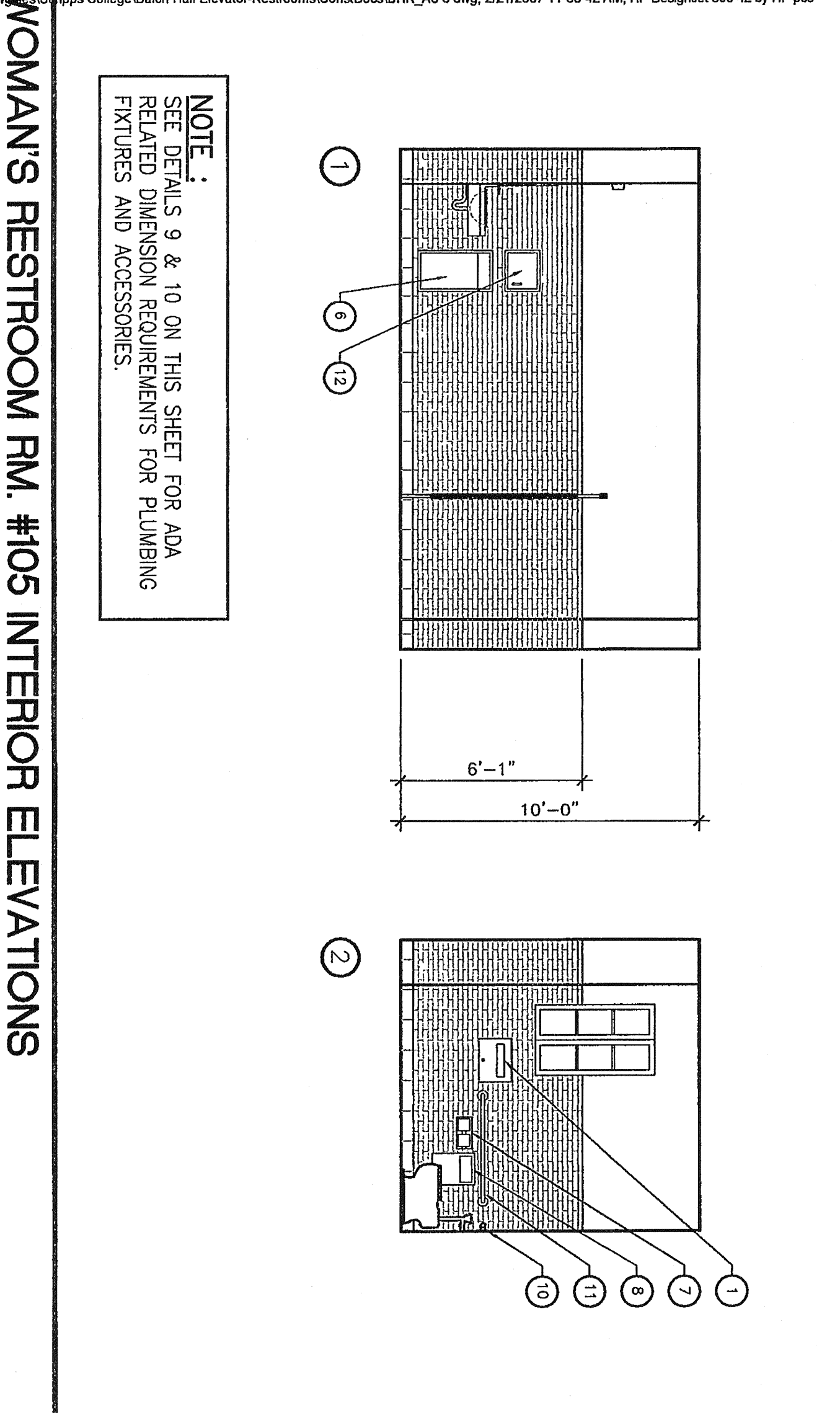


1/4"=1'-0"

RESTROOMS #103 + #104

1/4"=1'-0"

2



WOMAN'S RESTROOM RM. #105 INTERIOR ELEVATIONS

1/2"=1'-0"

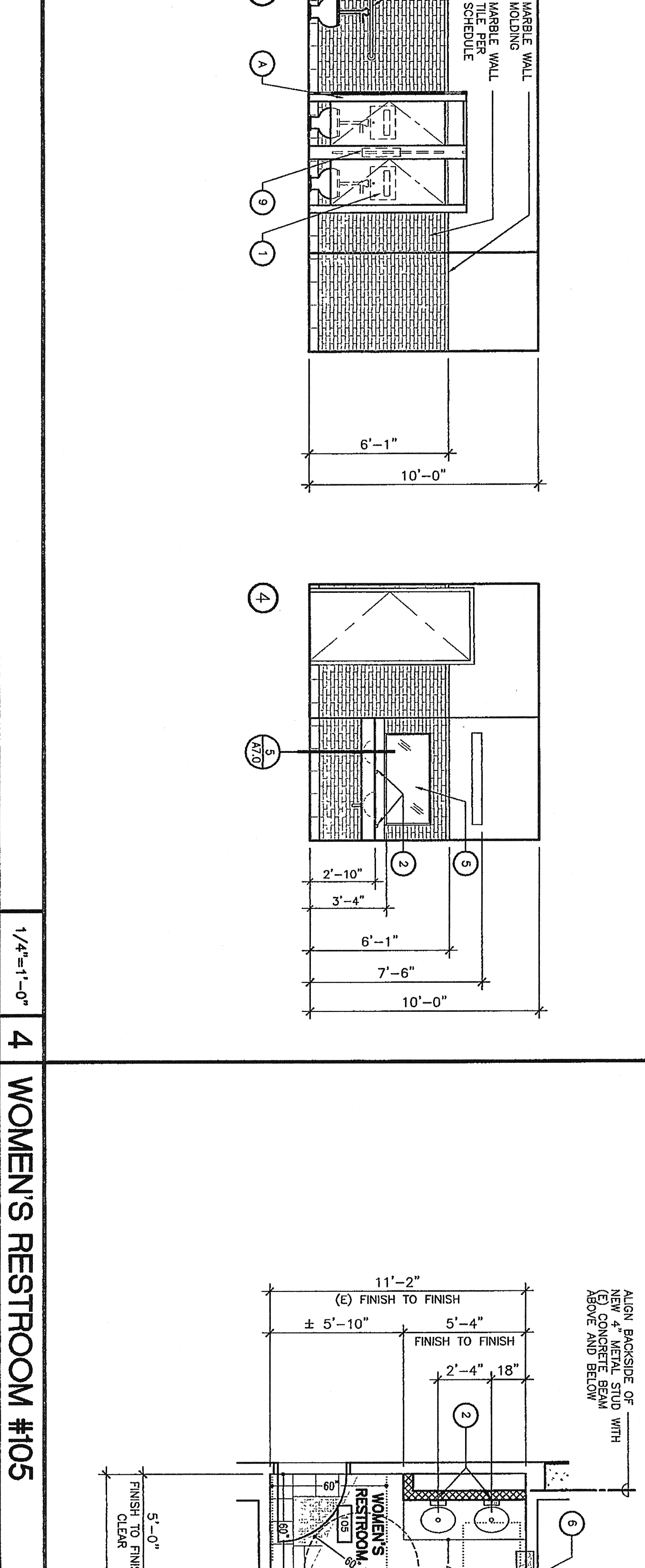
WOMEN'S RESTROOM #105

1/4"=1'-0"

WOMEN'S RESTROOM #105

1/4"=1'-0"

4



NOTE:  
SEE DETAILS 9 & 10 ON THIS SHEET FOR ADA RELATED DIMENSION REQUIREMENTS FOR PLUMBING FIXTURES AND ACCESSORIES.

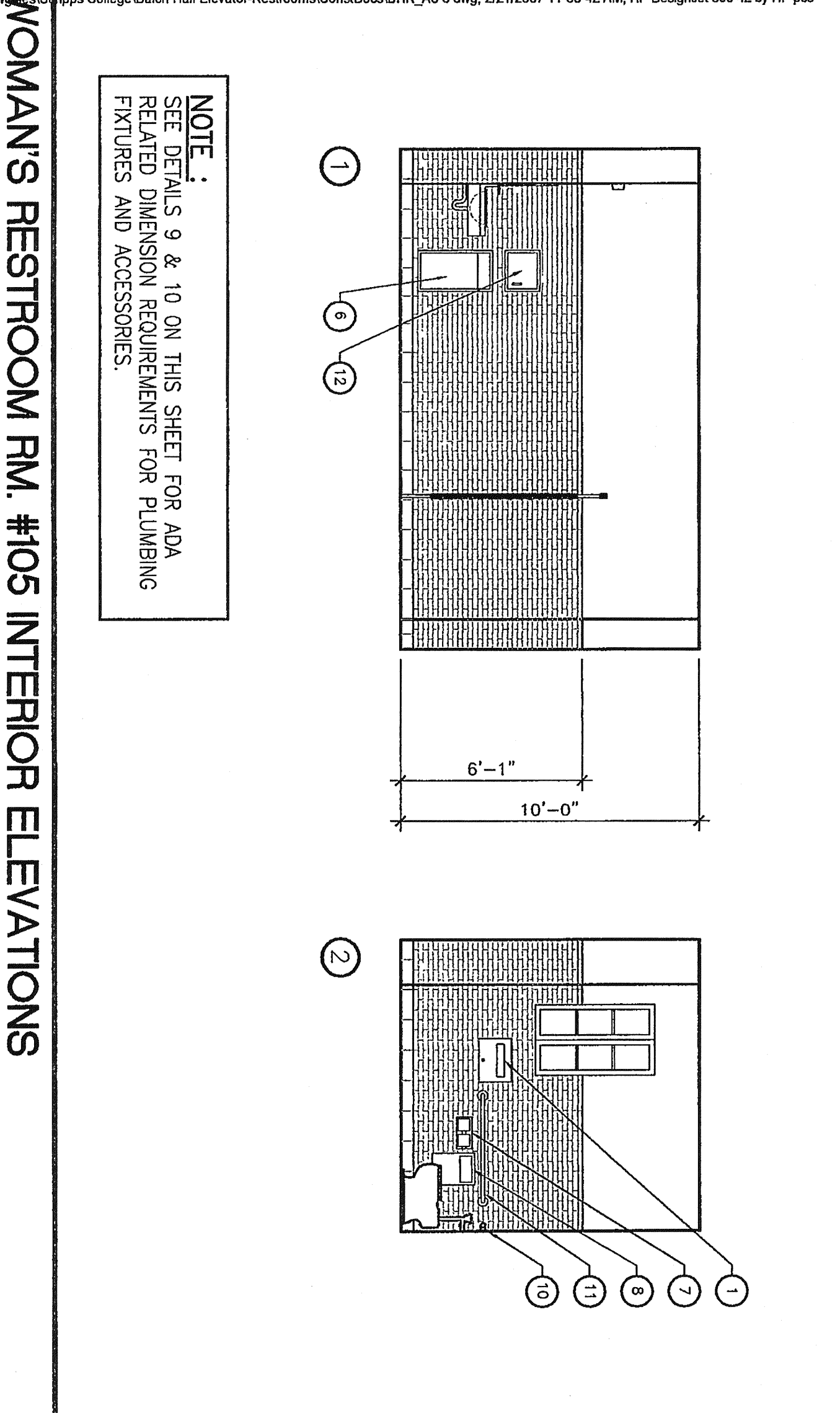


1/4"=1'-0"

WOMEN'S RESTROOM #105

1/4"=1'-0"

4



NOTE:  
SEE DETAILS 9 & 10 ON THIS SHEET FOR ADA RELATED DIMENSION REQUIREMENTS FOR PLUMBING FIXTURES AND ACCESSORIES.



1/4"=1'-0"

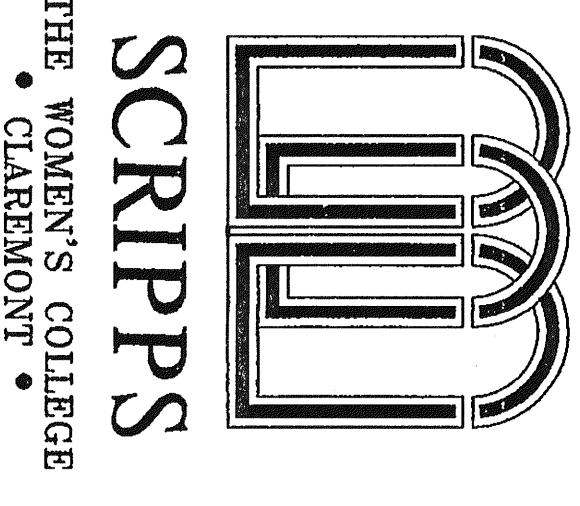
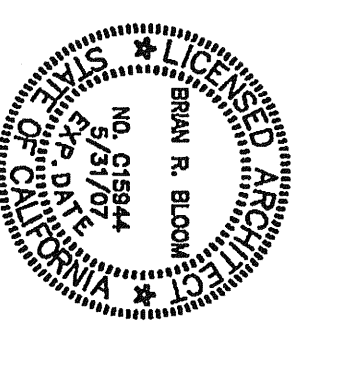
WOMEN'S RESTROOM #105

1/4"=1'-0"

4

Brian R. Bloom  
Architect

358 S. Main Ave., Ste. G, Orem, UT 84057  
801.225.5500  
ARCHITECTURE AND PLANNING



PROJECT  
SCRIPPS COLLEGE  
BALCH HALL  
ELEVATOR AND  
RESTROOMS REMODEL

PROJECT LOCATION  
1080 COLUMBIA AVENUE  
CLAREMONT, CA 91711

ISSUANCES  
02-21-07 PLAN CHECK SUBMITTAL  
# 1000  
DATE  
JANUARY 2008  
JOB NO.  
240906

SCALE  
1/4" = 1'-0"  
DATE  
JANUARY 2008  
JOB NO.  
240906

